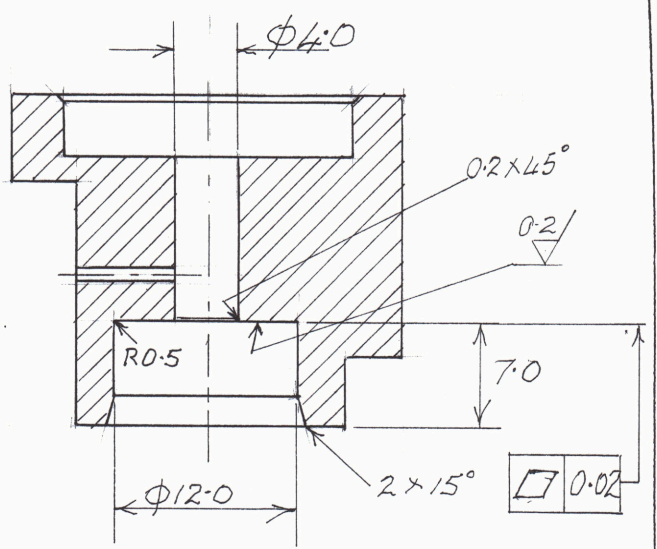
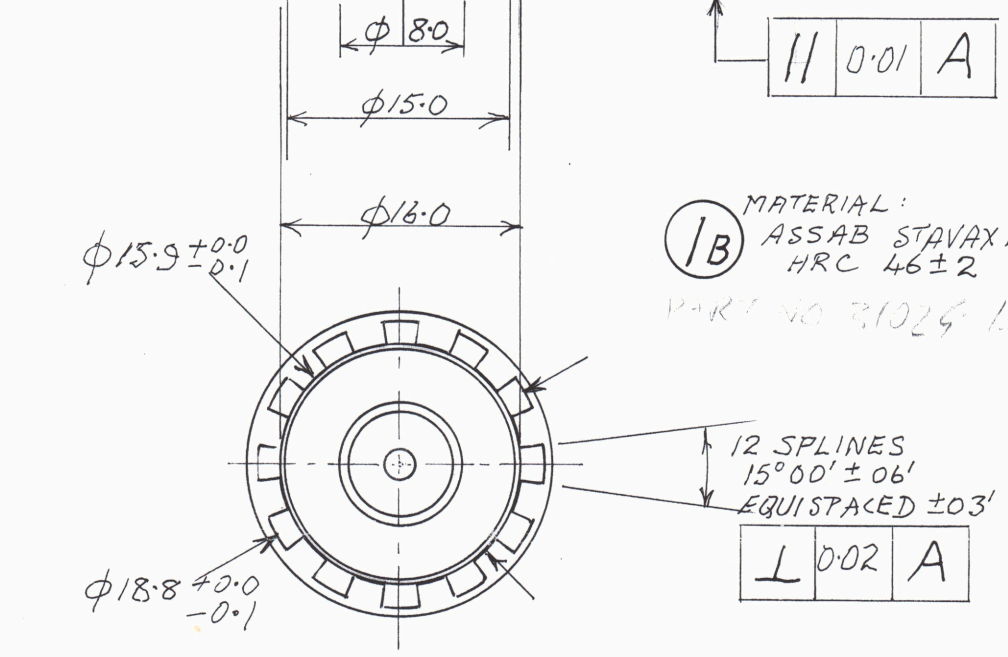
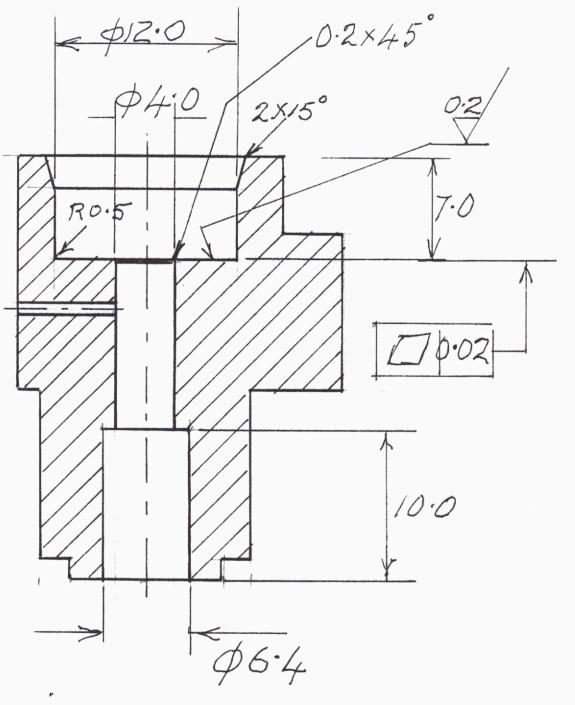


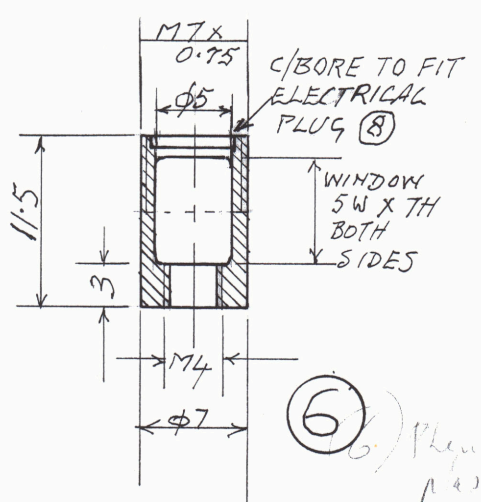
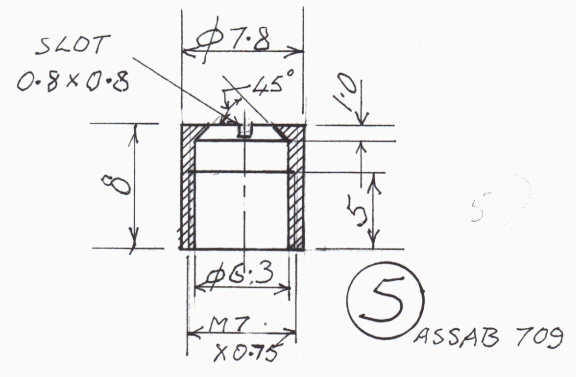
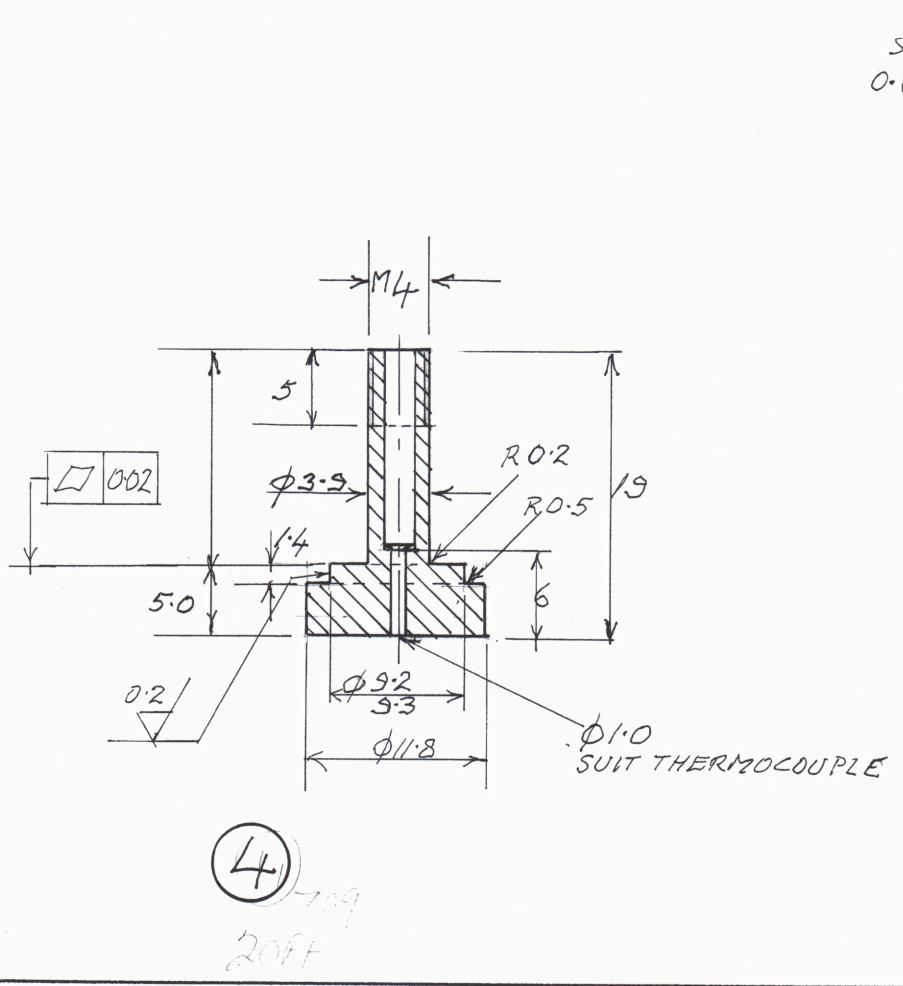
②
 PART NO. ASI 8216.3
 MODIFICATIONS TO 8216.2
 MATERIAL: ASSAB T18
 (IMPAX SUPREME)



③
 PART NO. ASI 8221.3
 MODIFICATIONS TO 8221.2
 MATERIAL: ASSAB T18
 (IMPAX SUPREME)



MATERIAL: ASSAB STAVAX ESR
 HRC 46 ± 2
 PART NO. 31024 1B



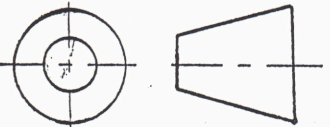
64x1.6WT 115
 tube
 ⑦
 7)

DIMENSIONS IN MILLIMETRES
 DO NOT SCALE

PATERSON INSTRUMENTS

TOLERANCES ± UNLESS STATED

BOTTOM THERMOCOUPLE DETAILS
 FOR PI-4510



ACN 008 644 273

A3	SCALE 2:1	DATE ~2003	DRAWING NO 4511
----	--------------	---------------	--------------------