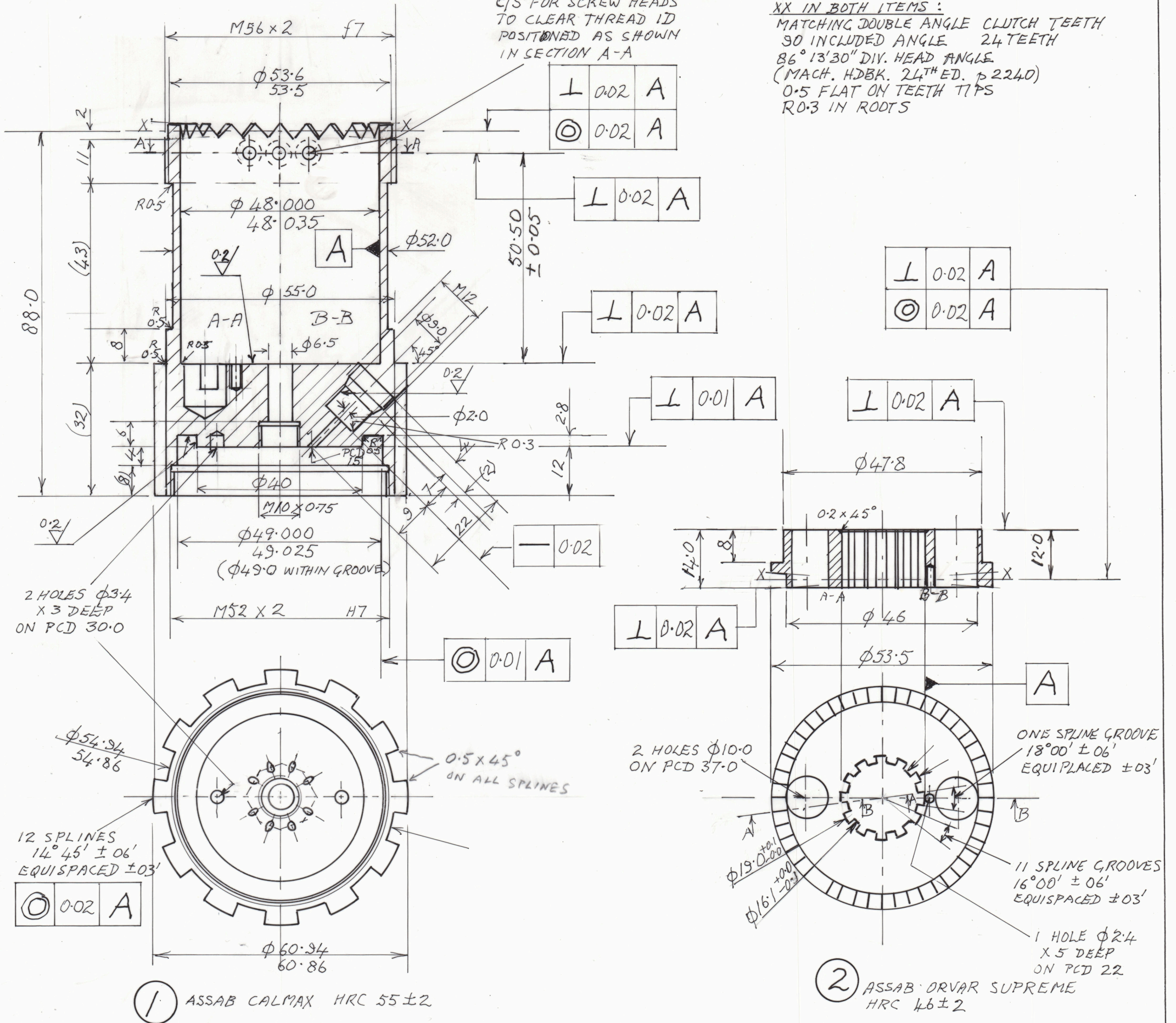


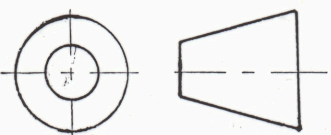
6 HOLES $\phi 3.2$ C/S FOR SCREW HEADS TO CLEAR THREAD ID POSITIONED AS SHOWN IN SECTION A-A

XX IN BOTH ITEMS:
 MATCHING DOUBLE ANGLE CLUTCH TEETH
 30 INCLUDED ANGLE 24 TEETH
 86° 13' 30" DIV. HEAD ANGLE
 (MACH. HDBK. 24TH ED. p 2240)
 0.5 FLAT ON TEETH TIPS
 R0.3 IN ROOTS



DIMENSIONS IN MILLIMETRES
DO NOT SCALE

TOLERANCES ± UNLESS STATED



ACN 008 644 273

PATERSON INSTRUMENTS

LVDT LOAD CELL
DETAILS ① & ②

A3

SCALE
1:1

DATE
DEC 2000

DRAWING NO 4503

REV MAY 2001