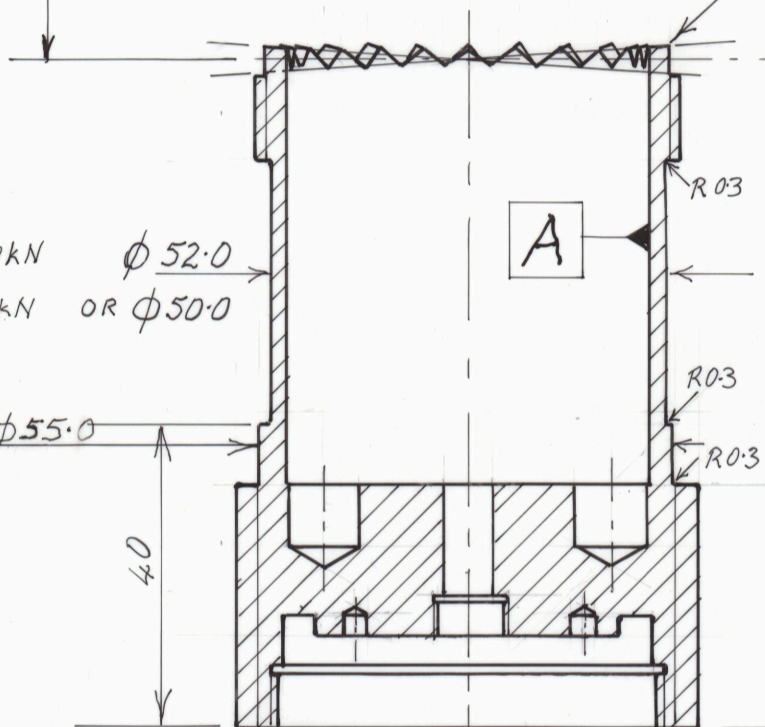
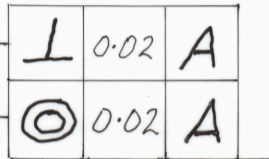
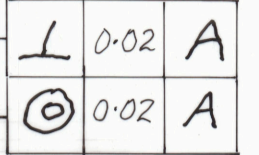
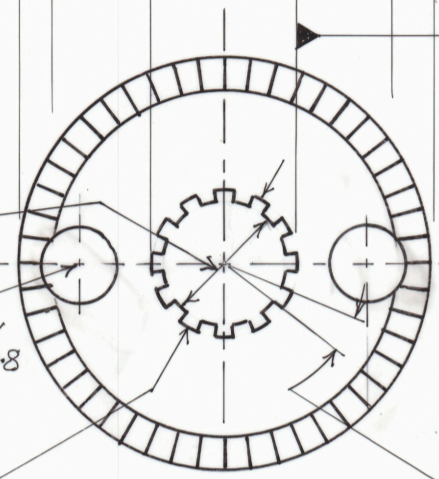


DOUBLE-ANGLE CLUTCH TEETH
 90° INCLUDED ANGLE
 24 TEETH
 86° 13' 30" DIV. HEAD ANGLE
 (MACH. HDBK. 24TH ED. P2240)
 0.5 FLAT ON TEETH TIPS
 R0.3 IN ROOTS



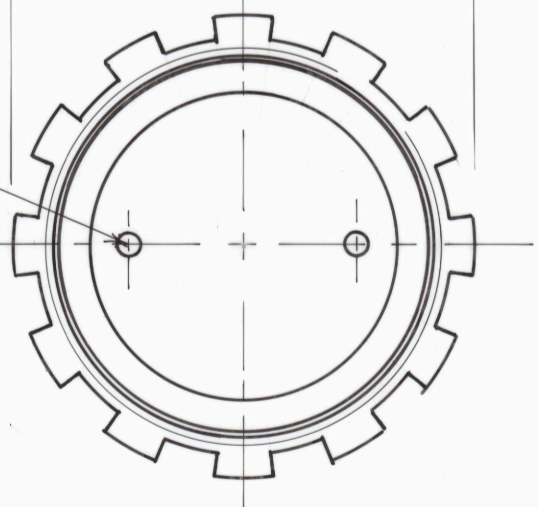
$\phi 16.1^{+0.1}_{-0.0}$
 2 HOLES $\phi 9.7/_{9.8}$
 ON PCD 38



12 SPLINE GROOVES
 16° 00' ± 06'
 EQUISPACED ± 03'

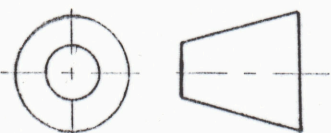
7 ASSAB ORVAR SUPREME
 HRC 46 ± 2

2 HOLES $\phi 3.4$
 X 3 DEEP
 ON PCD 30.0



DIMENSIONS IN MILLIMETRES
 DO NOT SCALE

TOLERANCES ± UNLESS STATED



ACN 008 644 273

PATERSON INSTRUMENTS PTY LTD

HPT TESTING MACHINE
 LVDT LOAD CELL
 AMENDMENTS TO DETAILS DRG 4501

A3

SCALE
 1:1

DATE
 OCT 1998

DRAWING NO 4501A