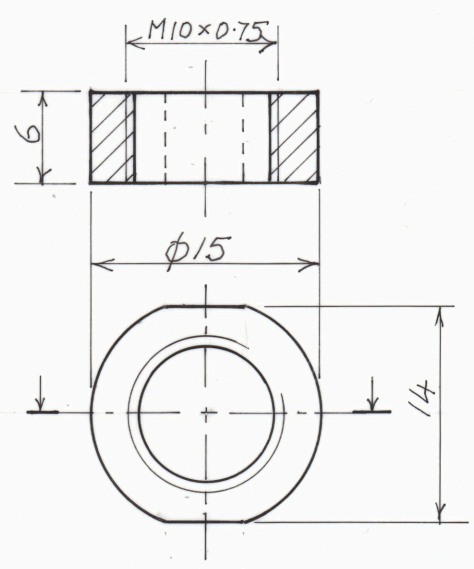
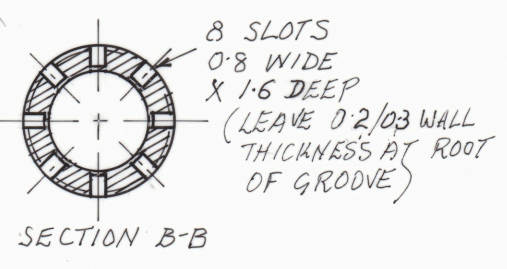
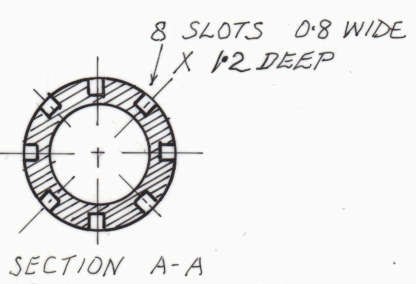
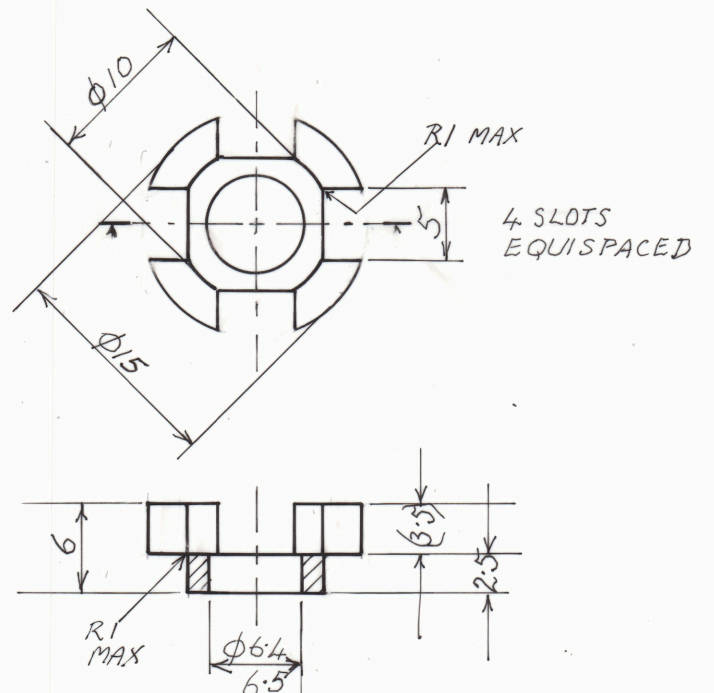


④ ASSAB 718 AS RECEIVED

⑤ ASSAB 718 AS RECEIVED



⑥ ASSAB 709 OR SIMILAR



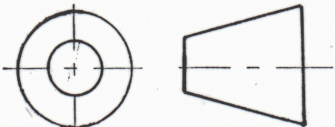
⑦ ASSAB 709 OR SIMILAR

③ ASSAB 709 OR SIMILAR (IF REQ, SPRINTER ARMS CO HAHNDORF SA TEL 08 388 7137 COULD BORE)

NOTE: WHEN INSTALLING LEADS, FIX WITH EPOXY UNDER THREADS & RE MACHINE THREADS TO CLEAR.

DIMENSIONS IN MILLIMETRES DO NOT SCALE

TOLERANCES ±0.3 UNLESS STATED



ACN 008 644 273

PATERSON INSTRUMENTS PTY LTD

HPT TESTING MACHINE
PRESSURE VESSEL ASSEMBLY
STRAIN GAUGE LOAD CELL - DETAILS ③ TO ⑦

A3	SCALE 2:1	DATE APR 1996 DEC 1996	DRAWING NO 4403
----	--------------	------------------------------	-----------------