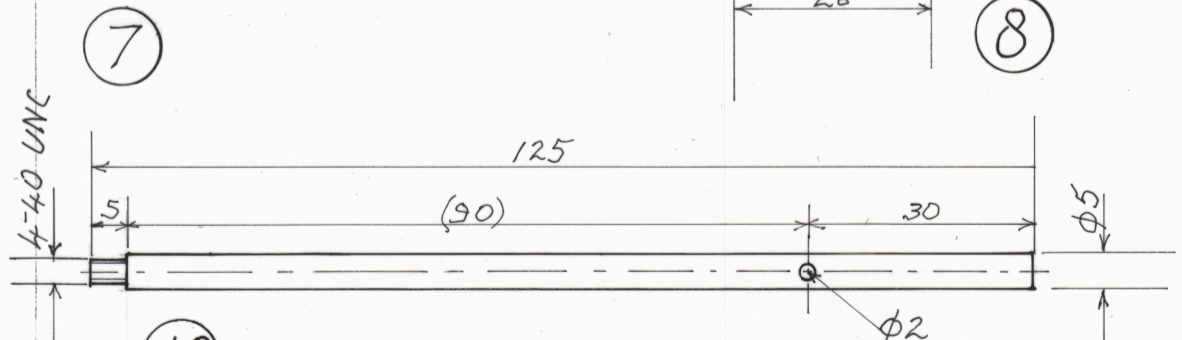
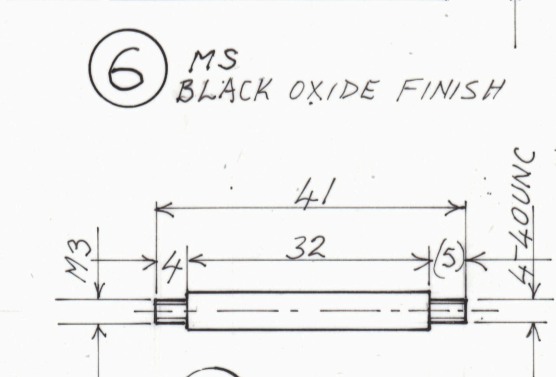
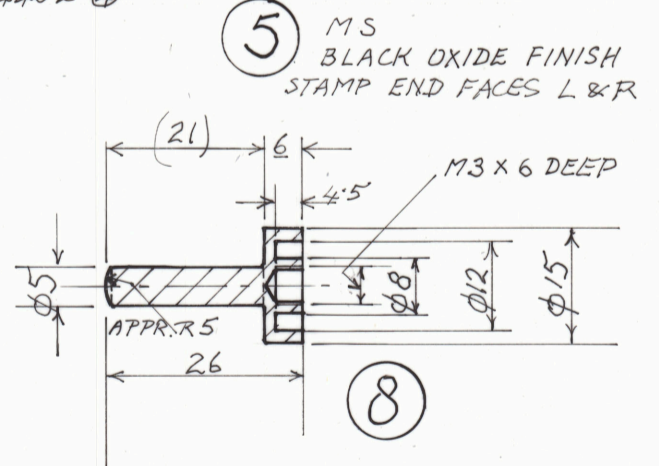
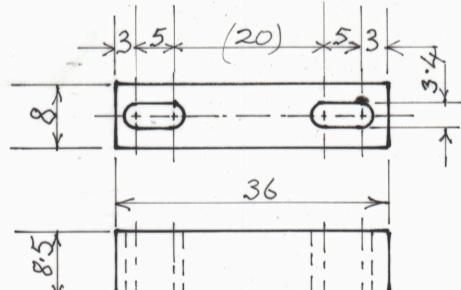
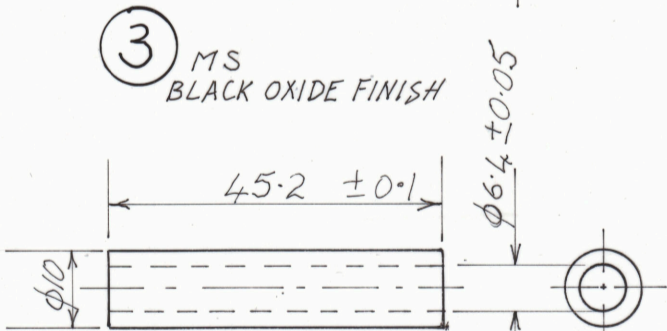
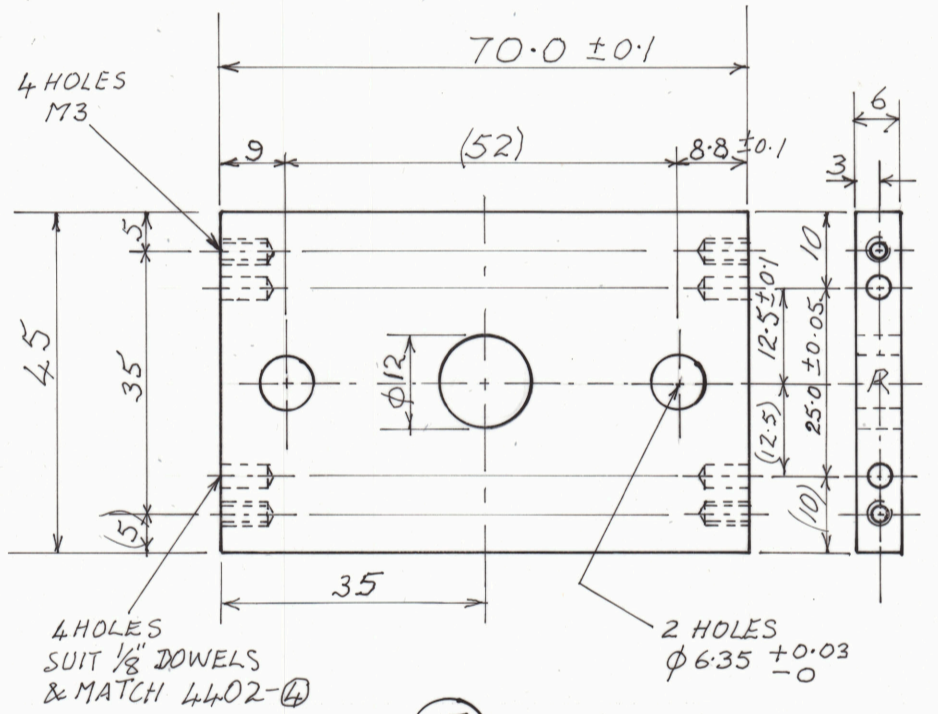
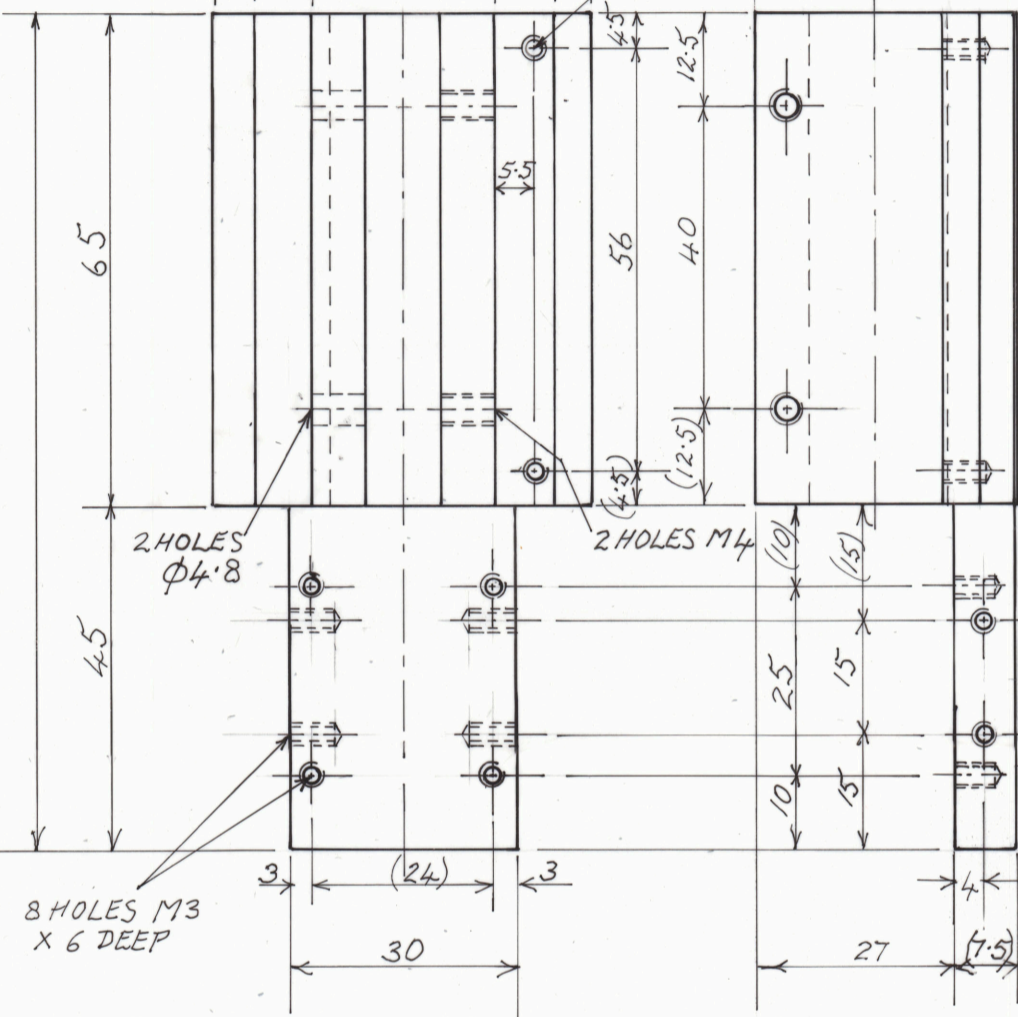
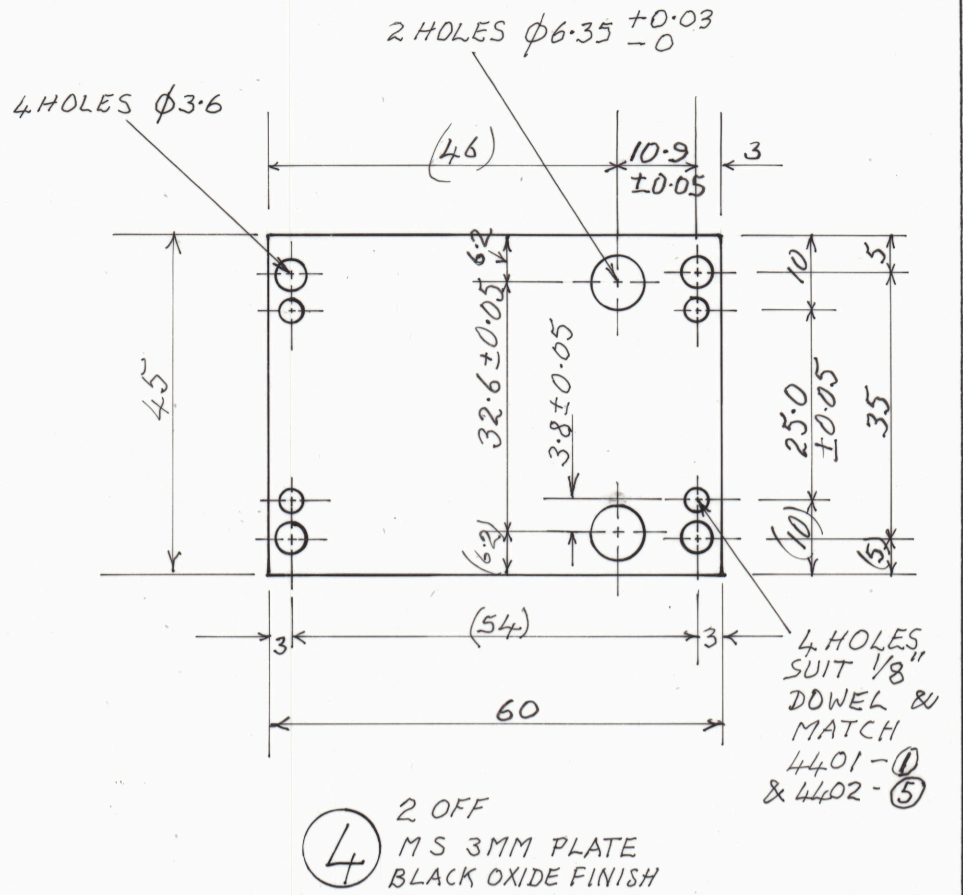
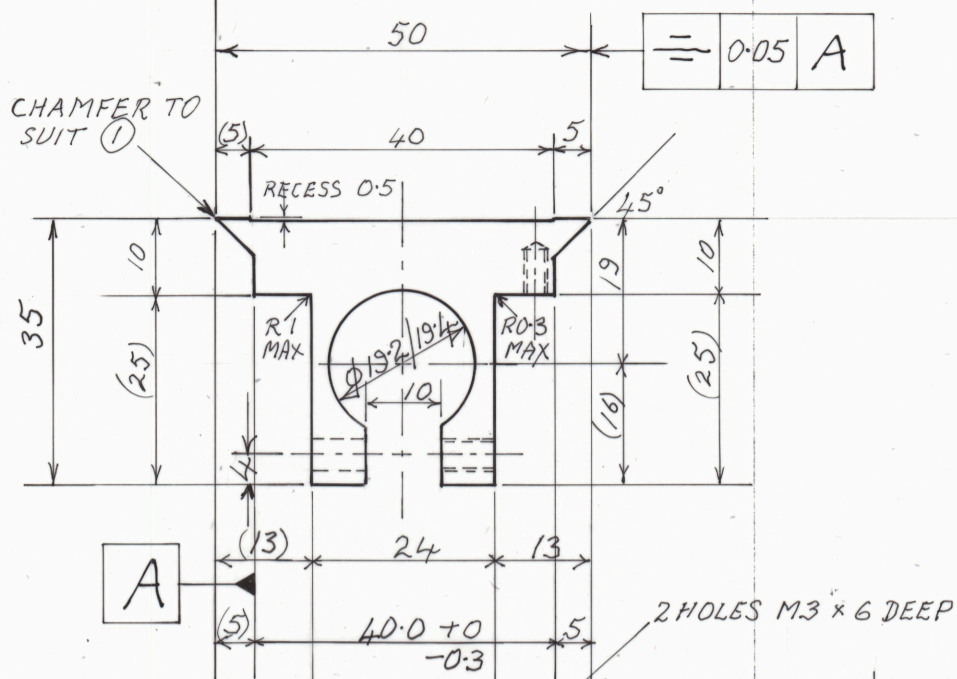
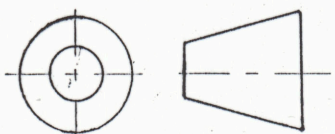


SLIDER TO FIT 4401-①
WITH 0.02/0.05 CLEARANCE



DIMENSIONS IN MILLIMETRES
DO NOT SCALE

TOLERANCES ± 0.3 UNLESS STATED



PATERSON INSTRUMENTS PTY LTD

HPT TESTING MACHINE
AUXILIARY AXIAL LVDT ATTACHMENT
DETAILS ③ TO ⑩

A3

SCALE
1:1

DATE
FEB 1995

DRAWING NO 4402

ACN 008 644 273