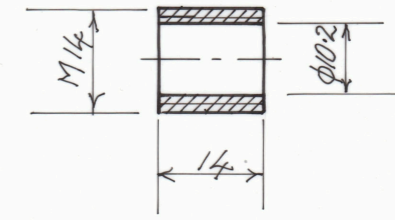
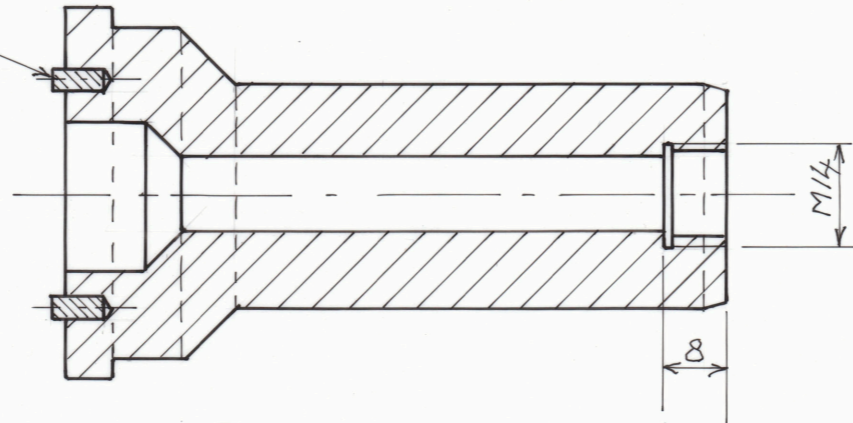
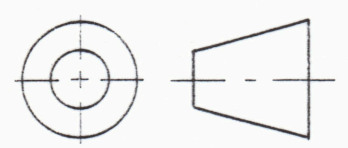
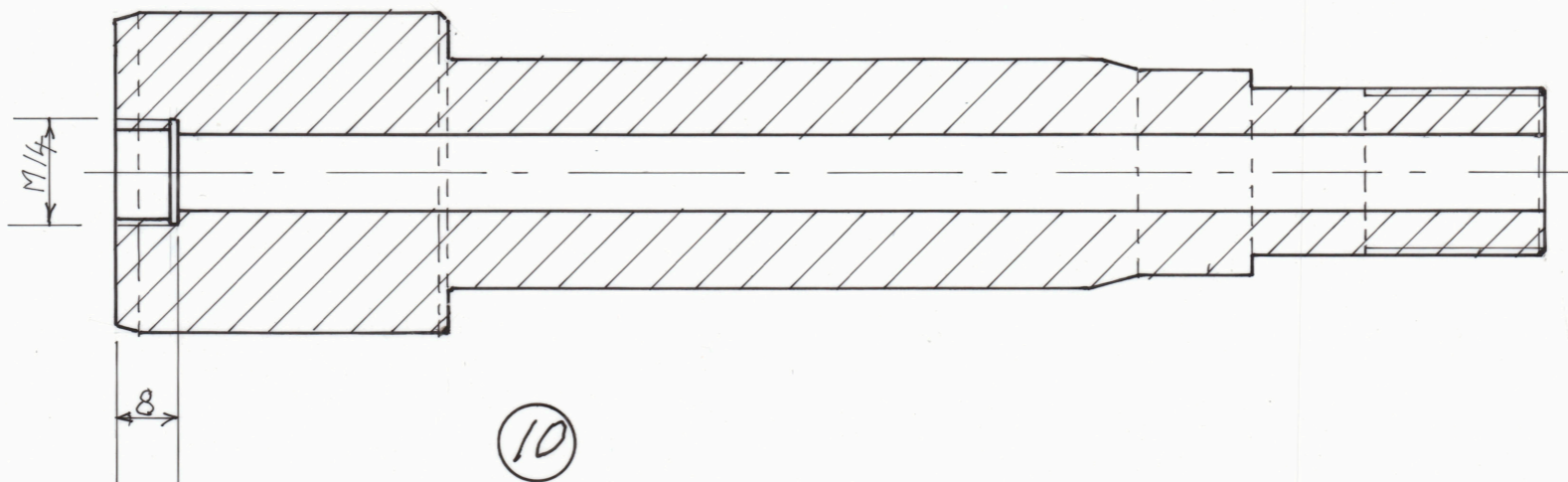


$\phi 3$
 2 MS PINS PRESS-FITTED
 ON PCD 30.0
 TO PROJECT 2



ASSAB 709
 OR 4140



DIMENSIONS IN MILLIMETERS -
 DO NOT SCALE

TOLERANCES \pm UNLESS STATED

ACN 008 644 273

PATERSON INSTRUMENTS PTY LTD

HPT TESTING MACHINE
 LOAD CELL & COMP. PISTONS MODS.

A3	SCALE 1:1	DATE OCT 1998	DRAWING NO 4103A
----	--------------	------------------	------------------