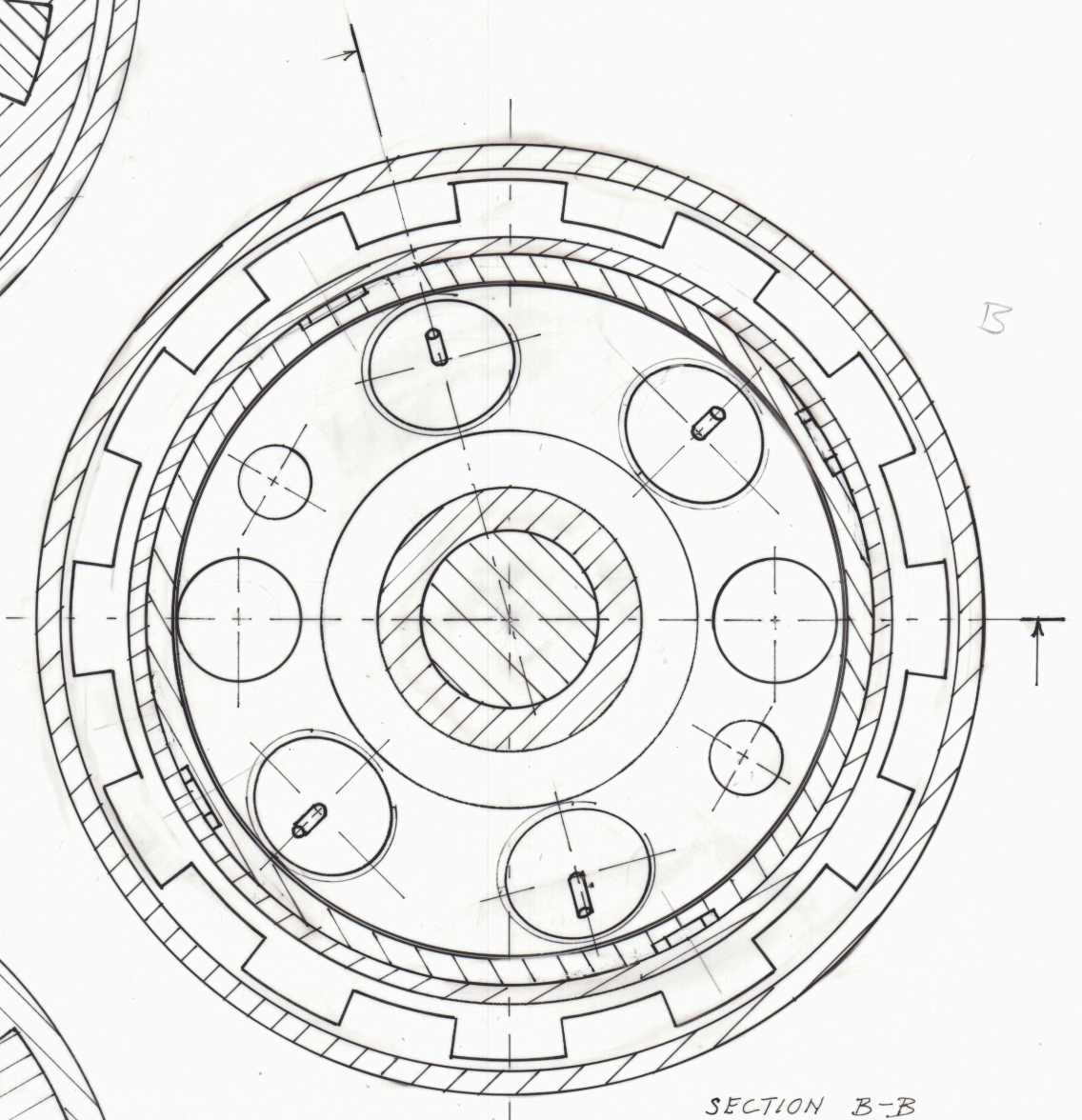
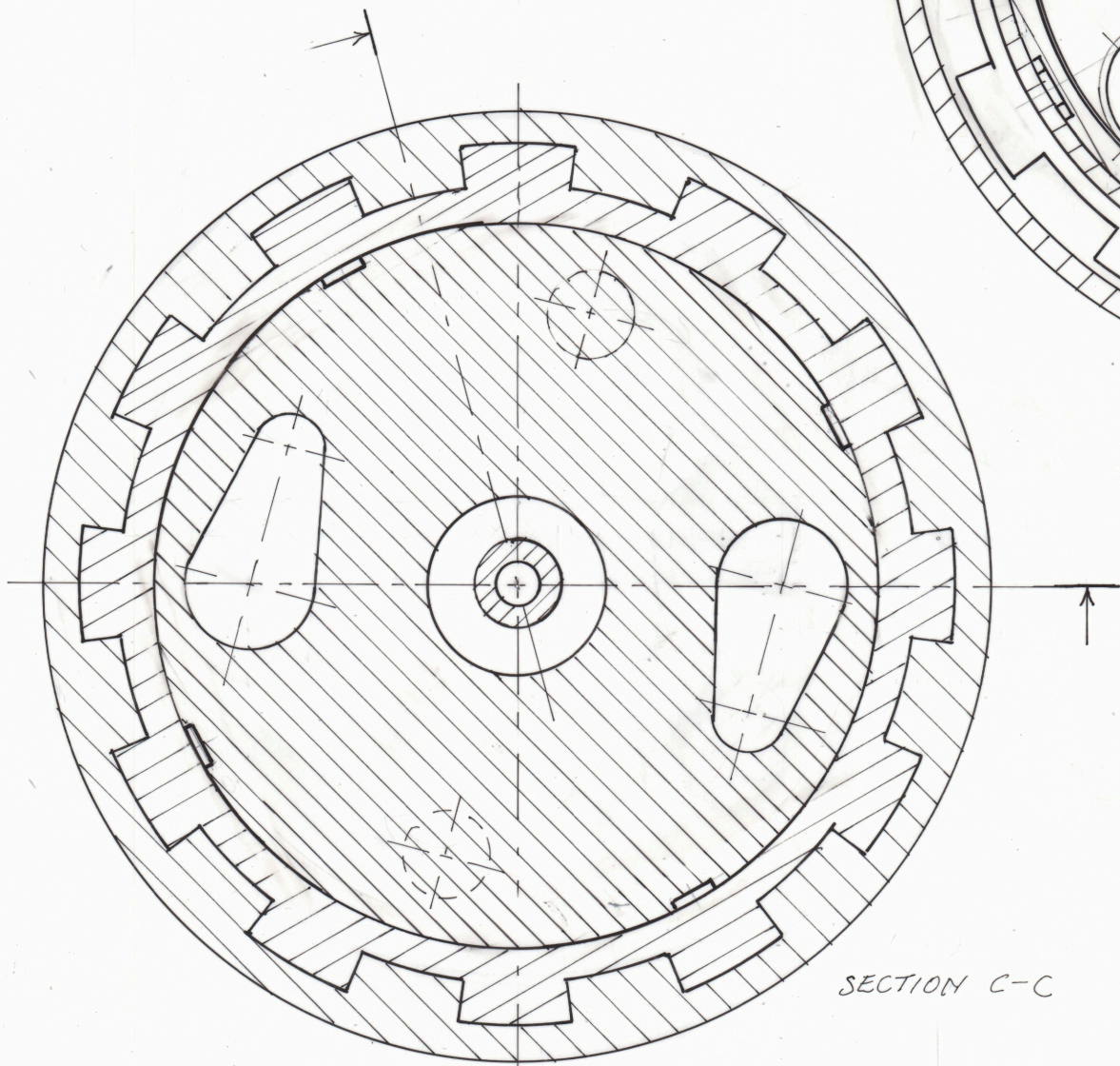


SECTION A-A : NOTE ROTATION 45° RELATIVE TO B-B & C-C



SECTION B-B

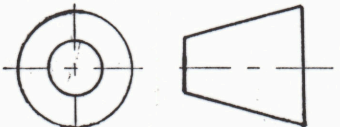


SECTION C-C

NOTE: DIAMETERS ARE NOT TO SCALE

DIMENSIONS IN MILLIMETRES  
DO NOT SCALE

TOLERANCES ± UNLESS STATED



ACN 008 644 273

PATERSON INSTRUMENTS PTY LTD

HPT TESTING MACHINE  
PRESSURE VESSEL ASSEMBLY  
INTERNAL LOAD CELL - STRAIN GAUGE VERSION

A3	SCALE 2:1	DATE MAR 1996 DEC 1996	DRAWING NO 4400B
----	--------------	------------------------------	------------------