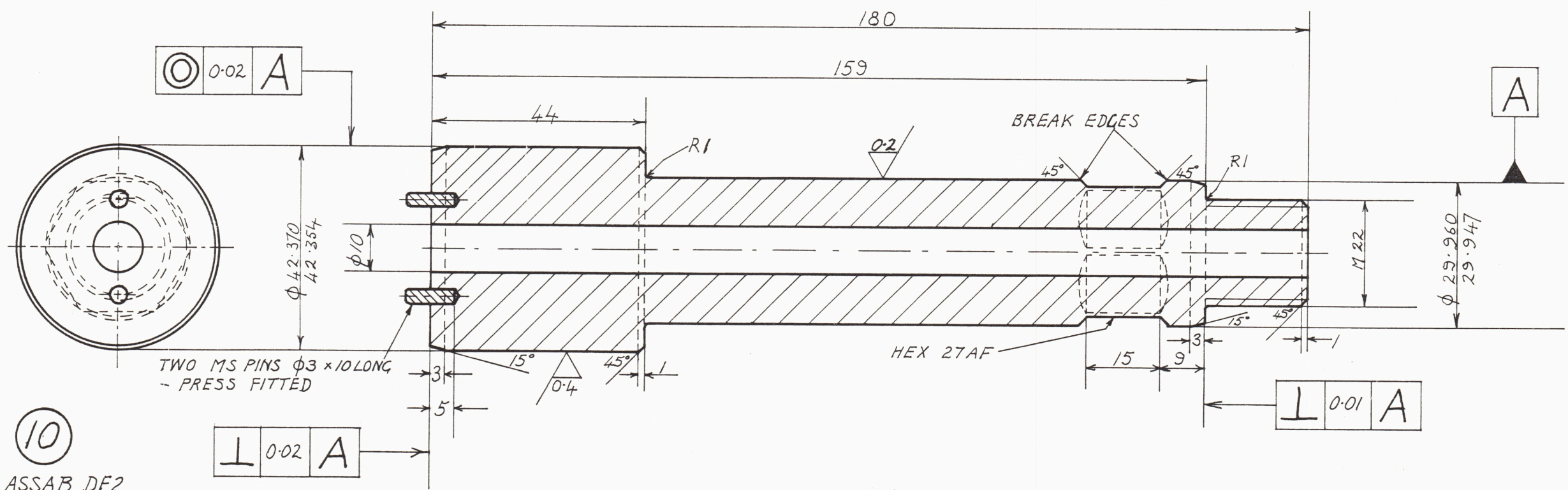


12

MATERIAL: ASSAB DF2
HRC 55±1
THREAD TO BE MASTERED

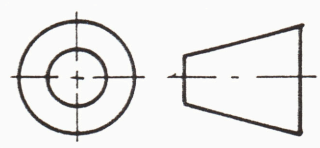


10

MATERIAL: ASSAB DF2
HRC 55±1

11

MATERIAL: ASSAB ORVAR M SUPREME
HRC 42±1



DIMENSIONS IN MILLIMETRES DO NOT SCALE		EXCLUSIVELY LICENCED TO PATERSON INSTRUMENTS PTY LTD	
TOLERANCES ± UNLESS STATED		ANU RESEARCH SCHOOL OF EARTH SCIENCES	
HIGH PRESSURE/TEMPERATURE TESTING MACHINE PRESSURE VESSEL ASSEMBLY DETAILS ⑩-⑫: BOTTOM PISTONS & SEAL RING			
A3	SCALE 1:1	DATE JULY 1989	DRAWING NO 4103