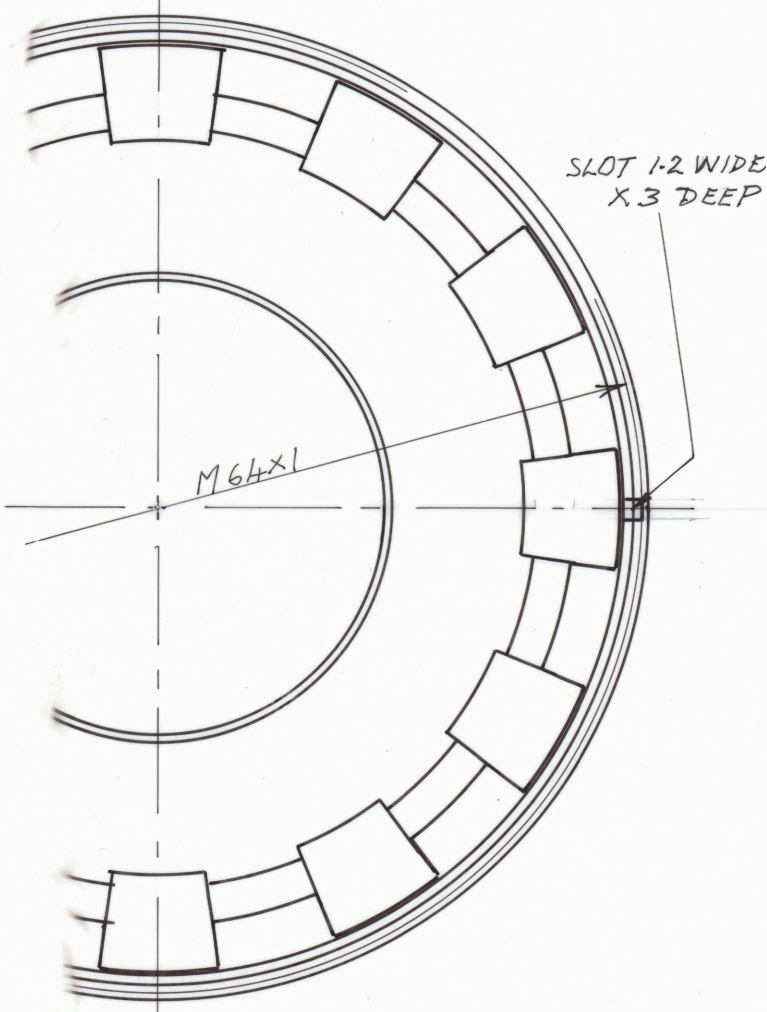


① ASSAB 7/8
2 SLOTS 2 WIDE X 1.2 DEEP

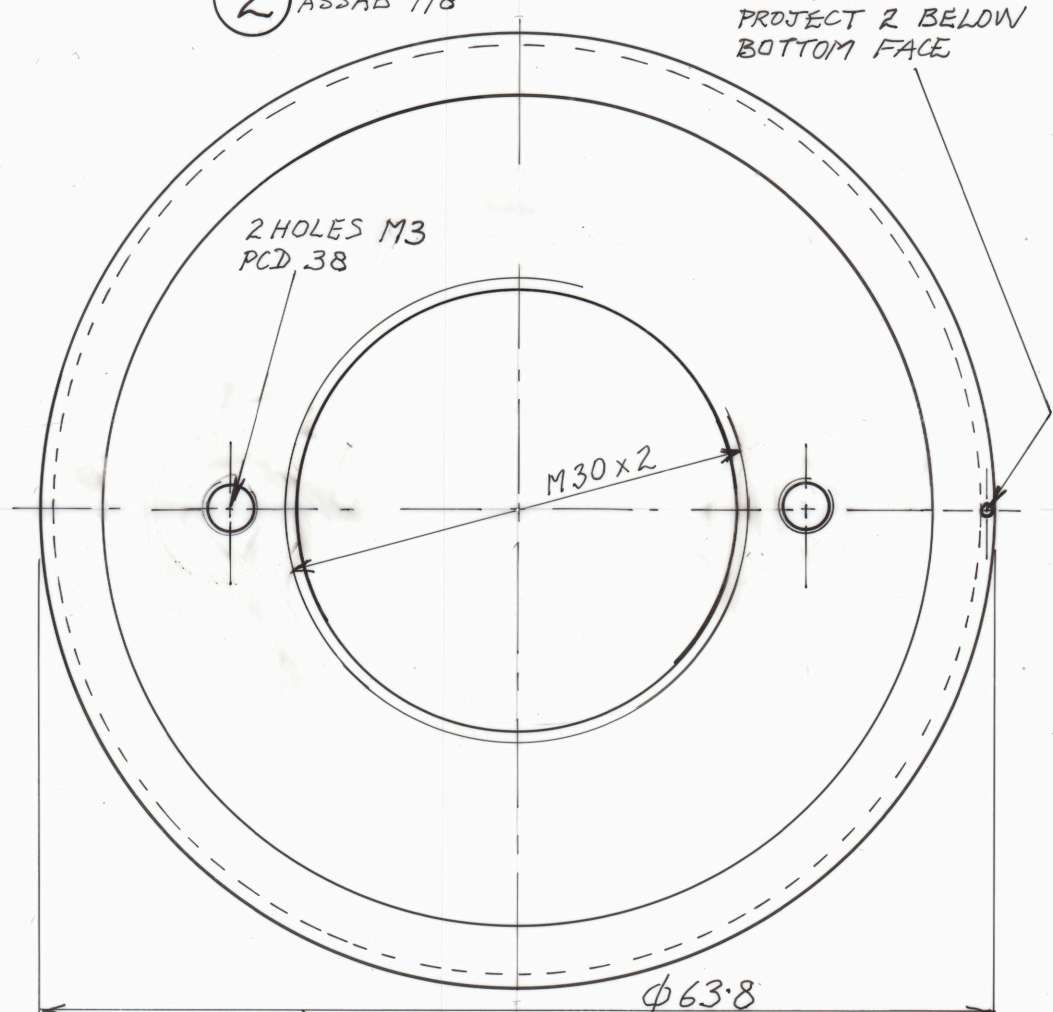
ALSO: TOOL FROM Ø63.5 X 3.2 WT STEEL TUBE WITH 1.5 WIDE X 1 DEEP LUGS APPROX 350-400 LONG, WITH TOMMY BAR

PUSH FIT ONE PIN Ø1.0 ON PCD 62.4 FLUSH ON TOP SIDE PROJECT 2 BELOW BOTTOM FACE

② ASSAB 7/8



VIEW A



DIMENSIONS IN MILLIMETERS - DO NOT SCALE

PATERSON HPT TESTING MACHINE

MODIFICATIONS TO BOTTOM CLOSURE PLUG & CAP

A3	SCALE 2:1	DATE MAR 1998	DRAWING NO 4301.D
----	--------------	------------------	----------------------