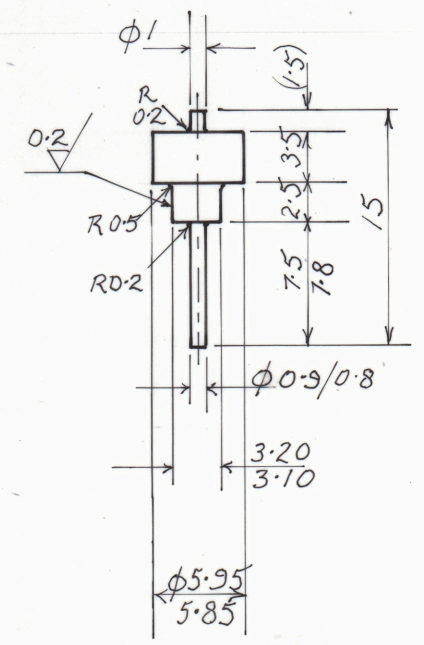
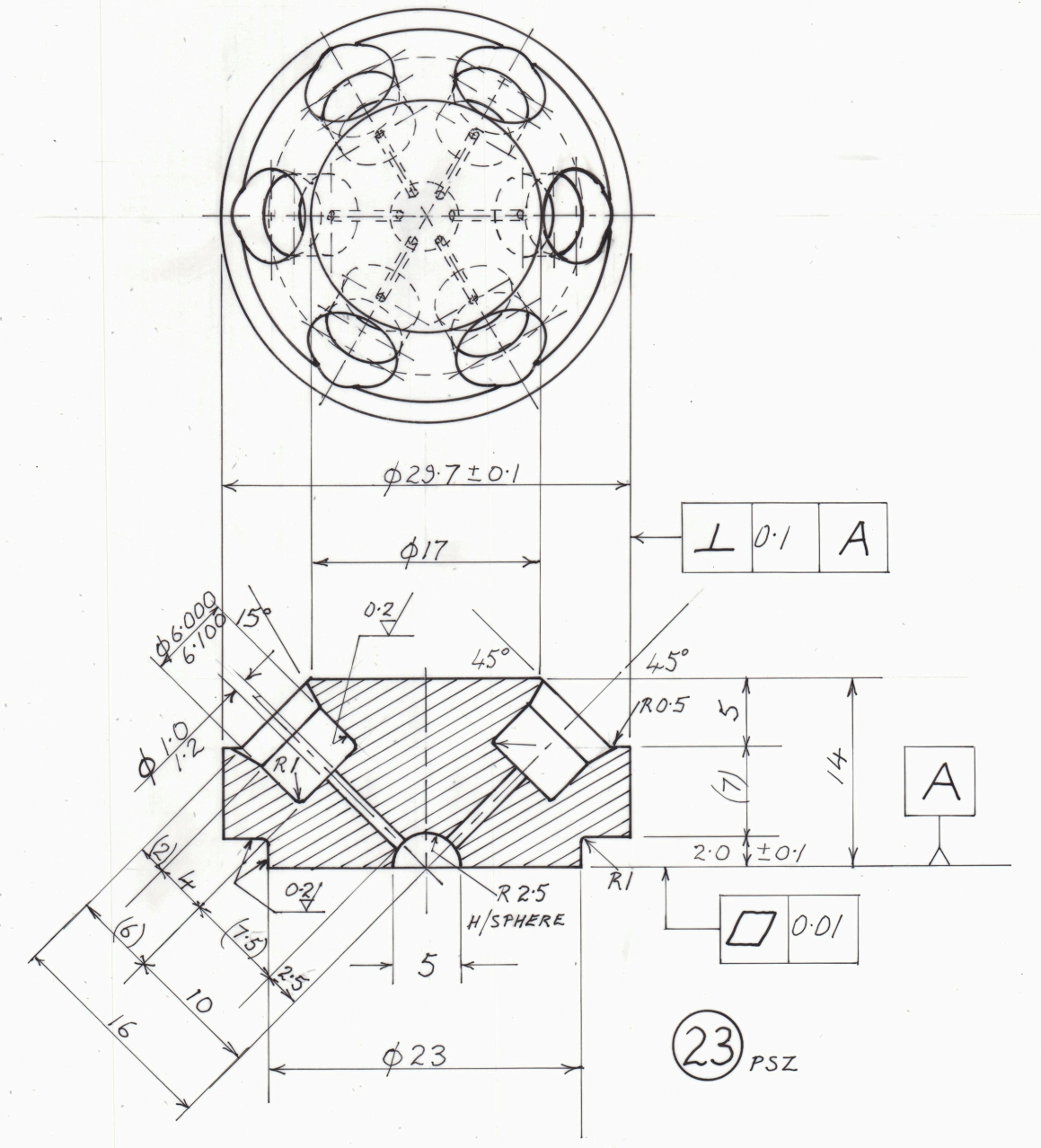


22 ASSAB DF2
HRC 58 ± 2



24 ASSAB T09 OR SIMILAR
6 OFF



23 PSZ

DIMENSIONS IN MILLIMETERS - DO NOT SCALE		PATERSON INSTRUMENTS PTY LTD	
TOLERANCES ± 0.3 UNLESS STATED		HPT TESTING MACHINE AXIAL LOAD CELL	
		22 TO 24 - ELECTRIC FEEDTHRO' PARTS	
A3	SCALE 2:1	DATE JULY 1995	DRAWING NO 4236

ACN 008 644 273

