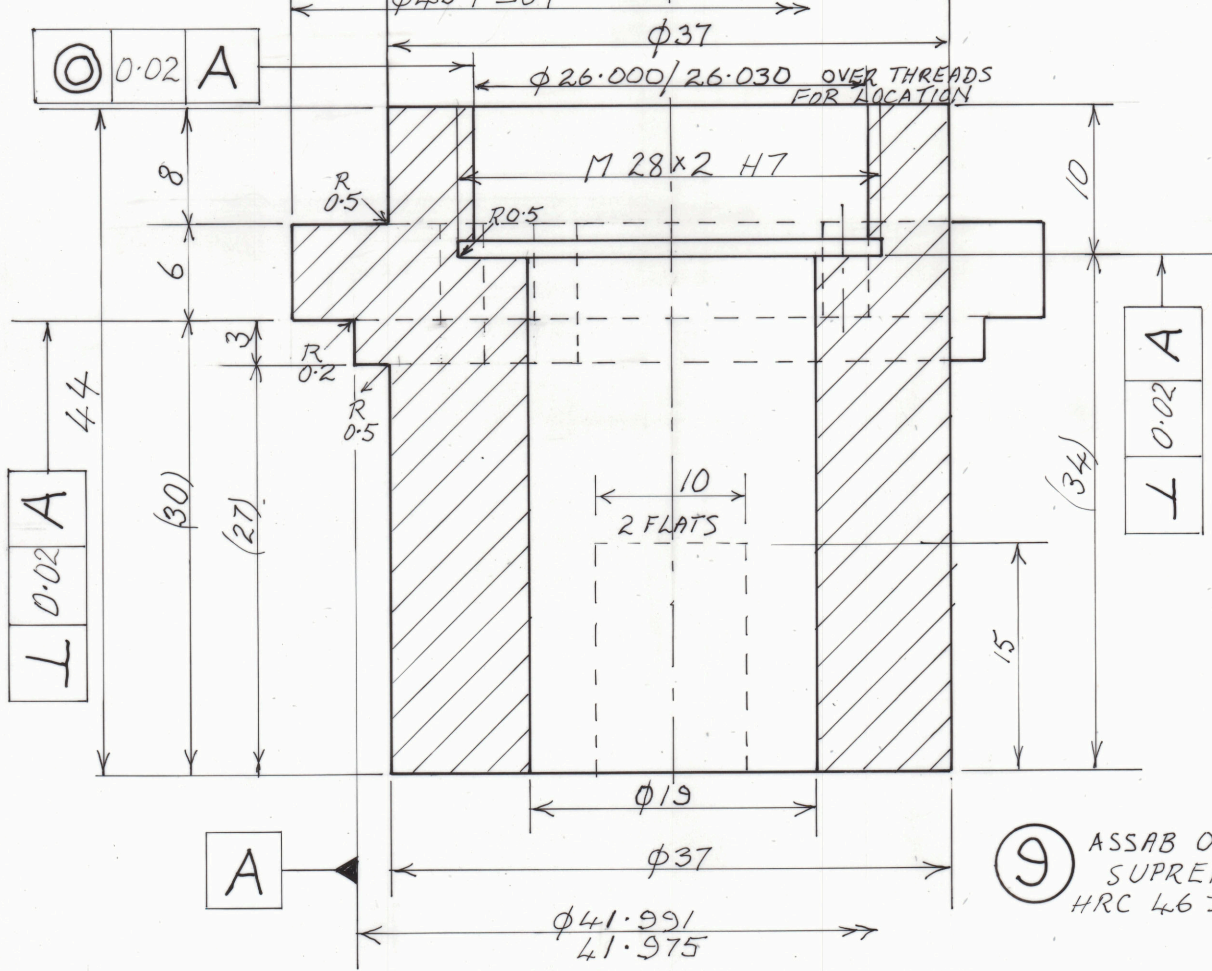
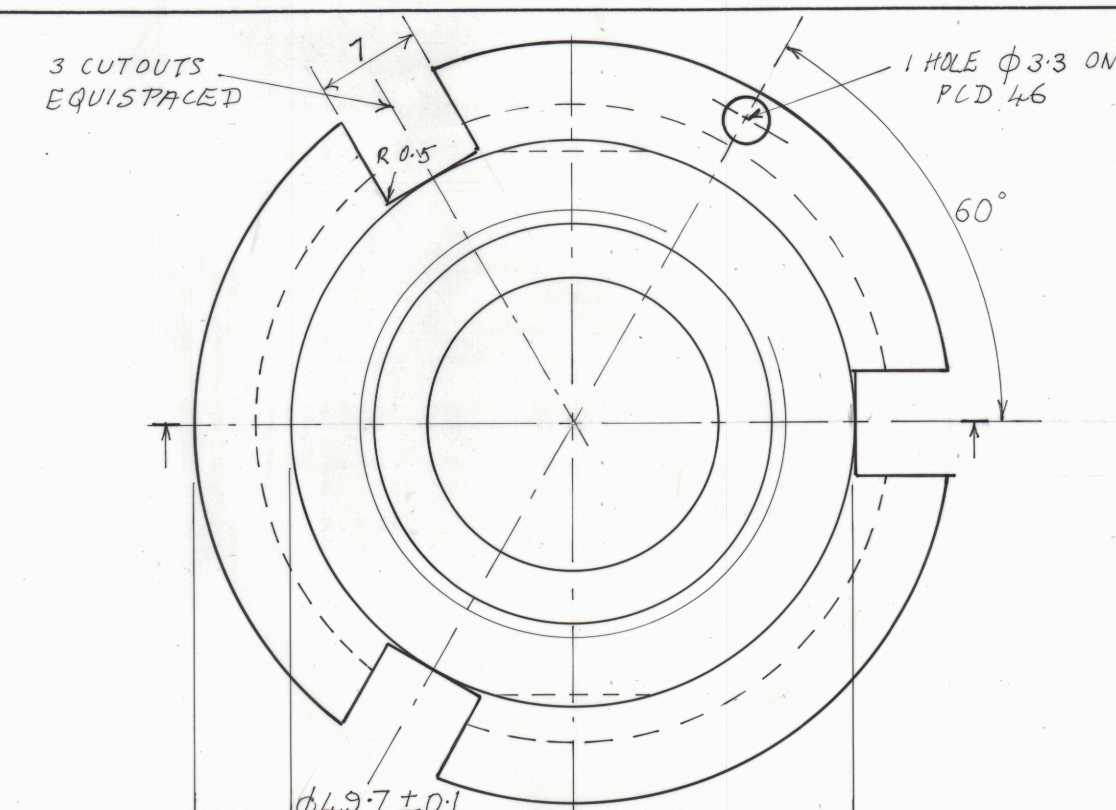
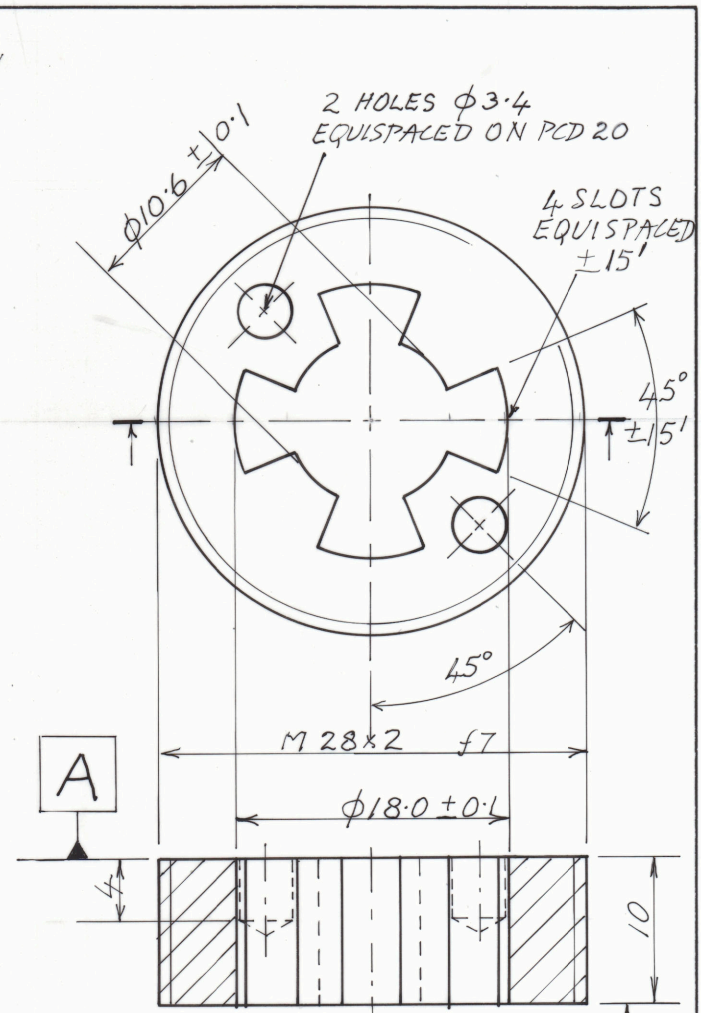


⑧ ASSAB 718



⑨ ASSAB ORVAR SUPREME HRC 46 ± 2



⑩ ASSAB ORVAR SUPREME HRC 46 ± 2

DIMENSIONS IN MILLIMETERS - DO NOT SCALE
 TOLERANCES ± 0.3 UNLESS STATED
 ACN 008 644 273

PATERSON INSTRUMENTS PTY LTD
 HPT TESTING MACHINE
 AXIAL LOAD CELL
 PARTS ⑧ TO ⑩ - CAP & ANVIL PARTS
 A3 SCALE 2:1 DATE JULY 1995 DRAWING NO 4234

