

3 HOLES $\phi 7 \times 4$ DEEP
EQUISPACED ON PCD 30

3 HOLES M 2.5 ON PCD 30
-SEE DRG 4231A

3 HOLES M 2.5 ON PCD 45
-SEE DRG 4231A

M S PIN - SEE DRG 4231A

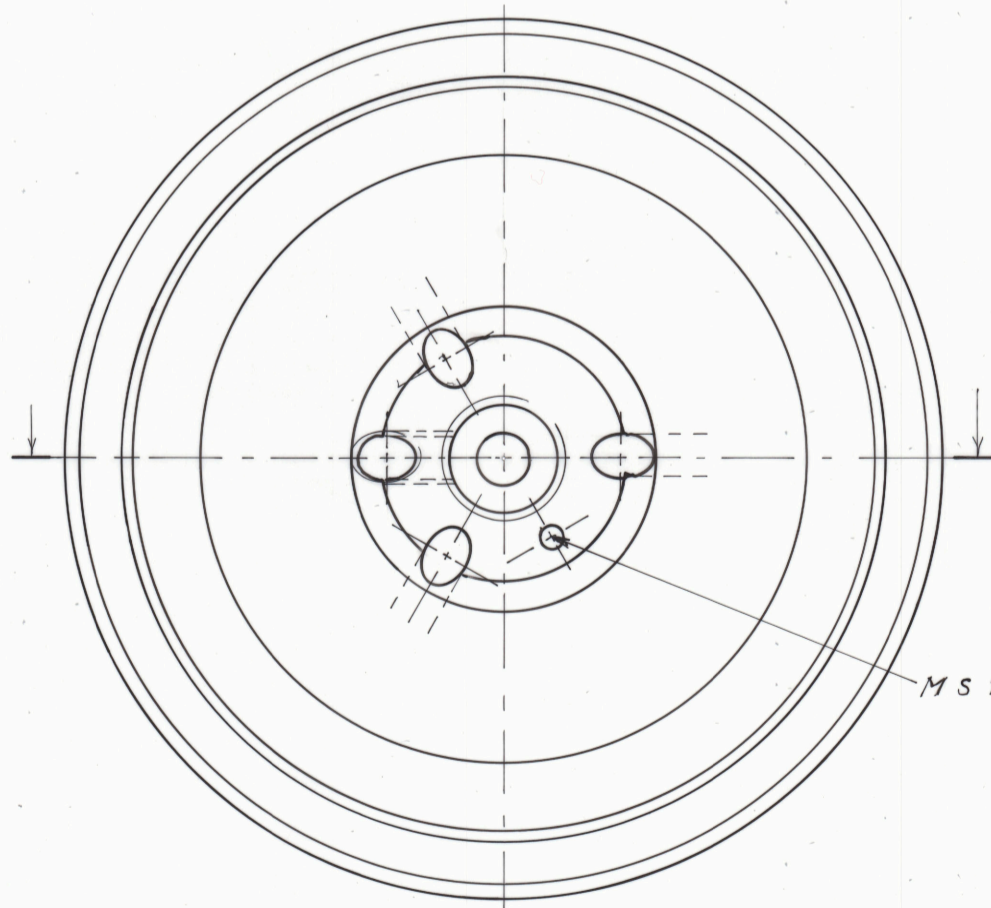
60°

30°

30°

3 SLOTS
CENTRED OVER
FEEDTHROS
-SEE DRG 4231A

TOP VIEW OF 4231A

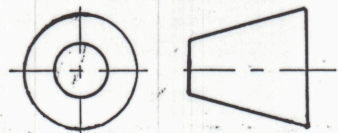


M S PIN - SEE DRG 4231A

BOTTOM VIEW OF 4231A

DIMENSIONS IN MILLIMETRES
DO NOT SCALE

TOLERANCES ± 0.3 UNLESS STATED



ACN 008 644 273

PATERSON INSTRUMENTS PTY LTD

HPT TESTING MACHINE
AXIAL LOAD CELL

PART (1) - MAIN BODY - END VIEWS

A3	SCALE 2:1	DATE JULY 1995	DRAWING NO 4231B
----	--------------	-------------------	------------------