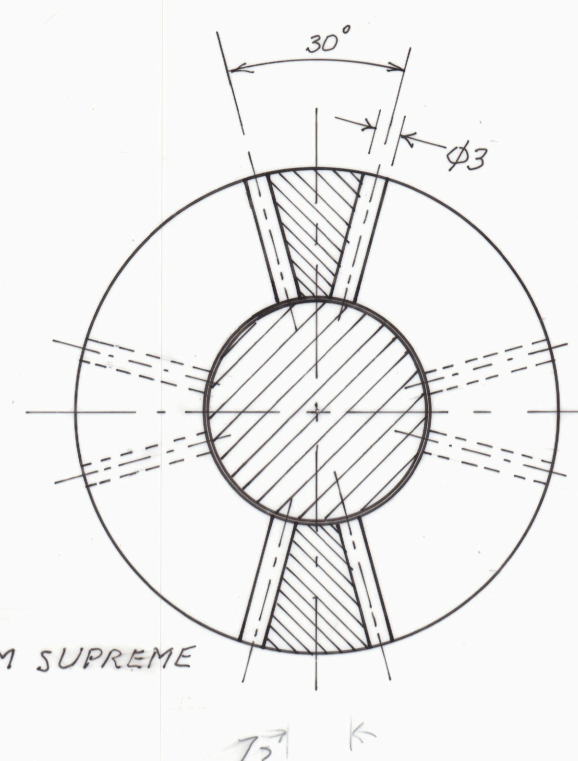


Φ66.990  
66.970

MATERIAL:  
ASSAB ORVAR M SUPREME  
48 HRC ± 2

FILLER PIECE  
Φ29  
LENGTH 10MM  
LESS THAN HOLE  
(or integral with  
loading spigot)

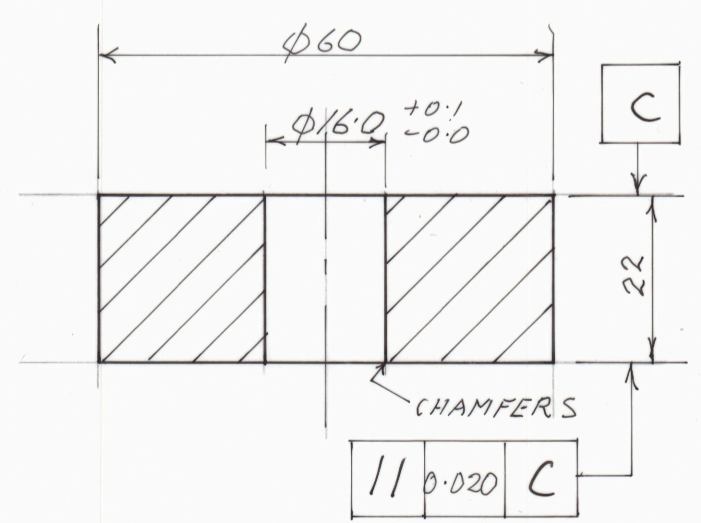
8 x M10 SCREWS  
ON PCD 46



|| 0.030 A

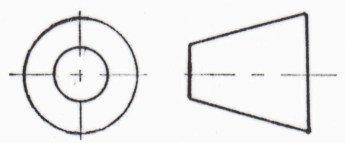
|| 0.030 A

⊙ 0.030 B



DIMENSIONS IN MILLIMETRES  
DO NOT SCALE

TOLERANCES ± UNLESS STATED



ACN 008 644 273

PATERSON INSTRUMENTS PTY LTD

INTERNAL LOAD CELL  
COMPRESSION-EXTENSION CALIBRATION  
SPRING

A3	SCALE 1:1	DATE MAY 1998	DRAWING NO 4204B
----	--------------	------------------	---------------------