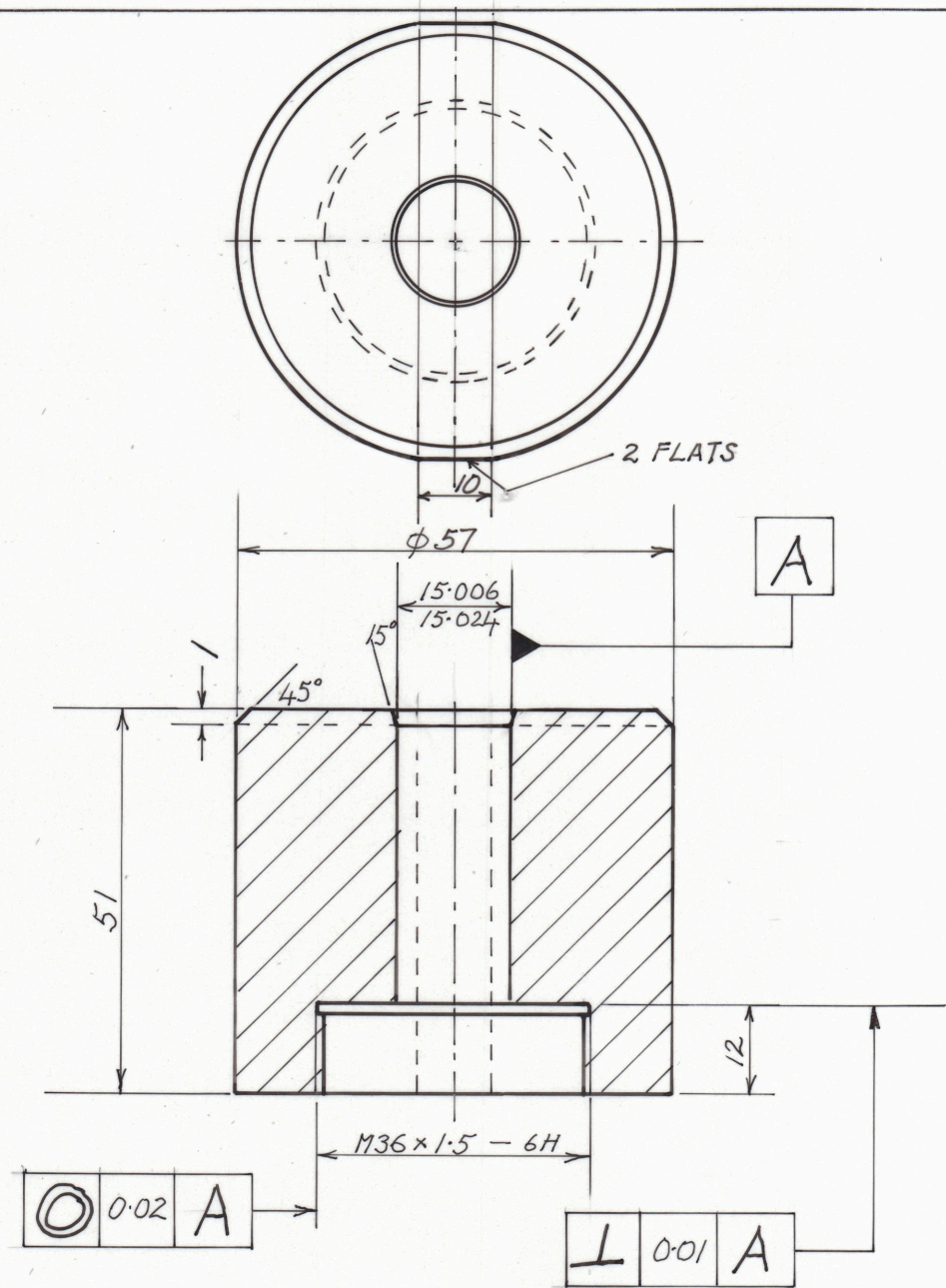
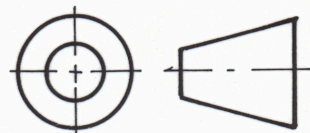


② MATERIAL: ASSAB STAVAX ESR  
AS RECEIVED  
4 OFF

③ MATERIAL: AS FOR ②  
2 OFF



④ MATERIAL: ASSAB 8407  
HRC 42 ± 1  
THREAD TO BE MASTERED



EXCLUSIVELY LICENCED TO PATERSON INSTRUMENTS PTY LTD			
ANU RESEARCH SCHOOL OF EARTH SCIENCES			
HIGH PRESSURE/TEMPERATURE TESTING MACHINE CAPACITANCE LOAD CELL DETAIL ②-④ - PLATES & ANVIL GUIDE			
A3	SCALE 2:1 & 1:1	DATE JULY 1989	DRAWING NO 4202

AMENDED APR 1990