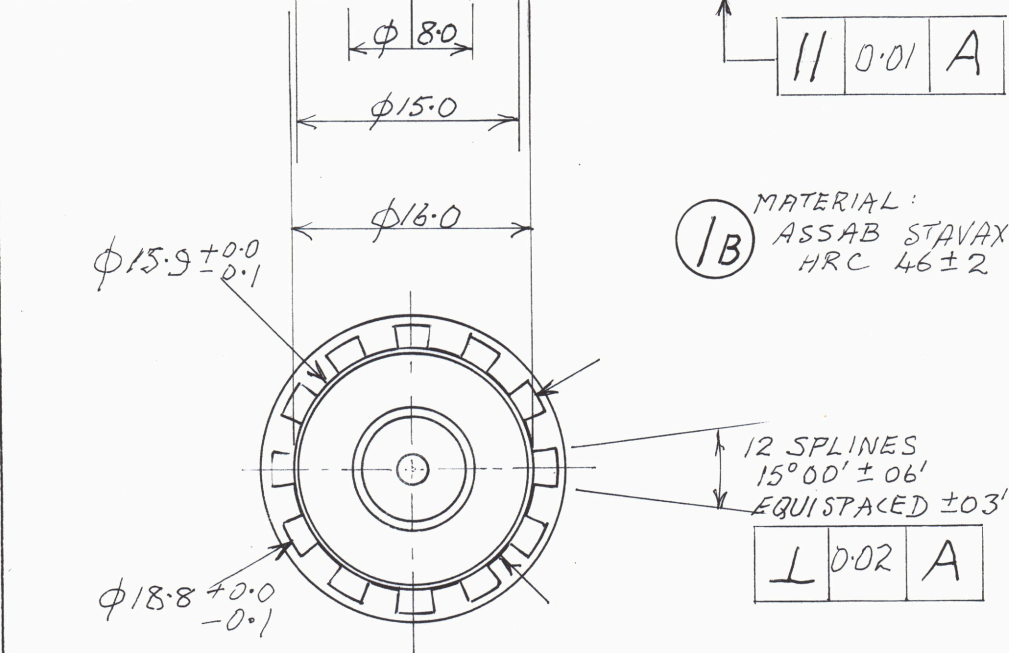
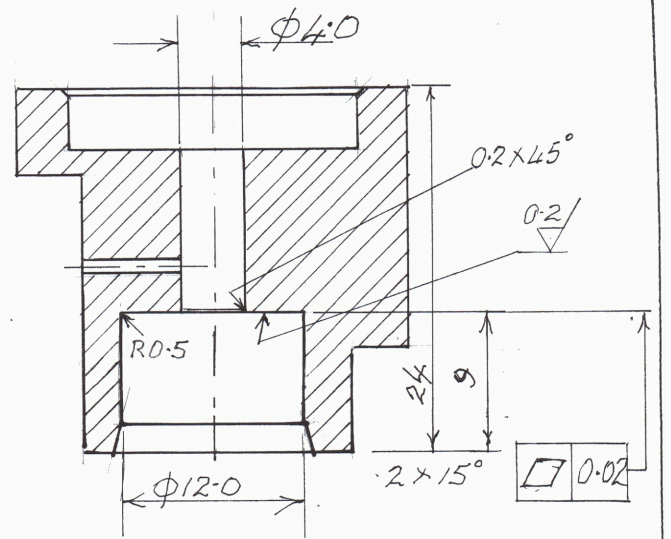
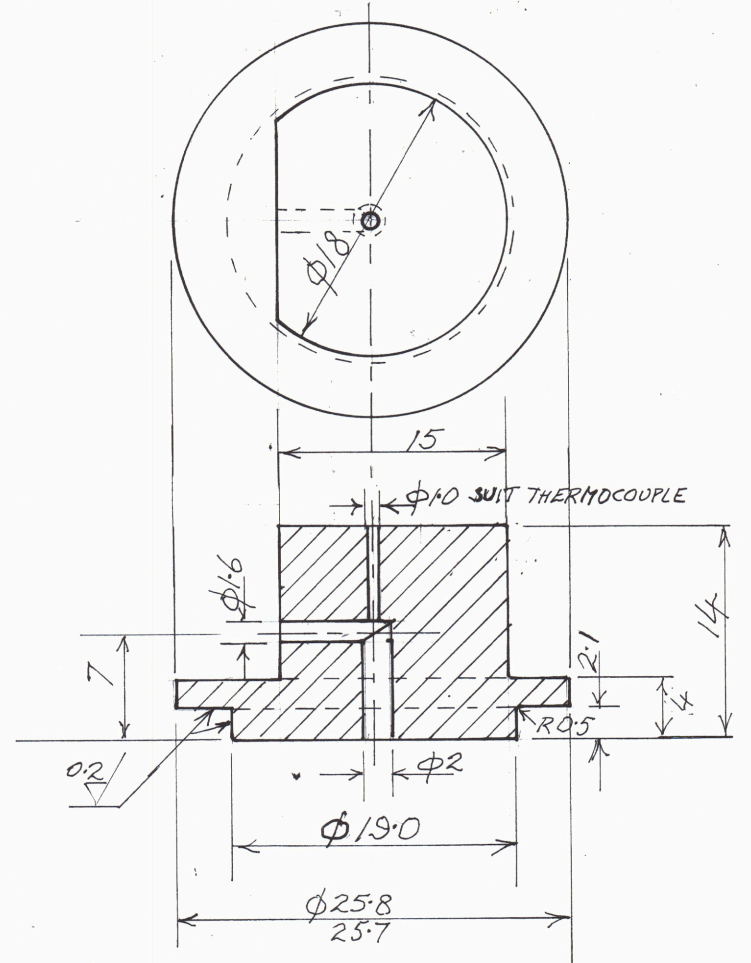


2

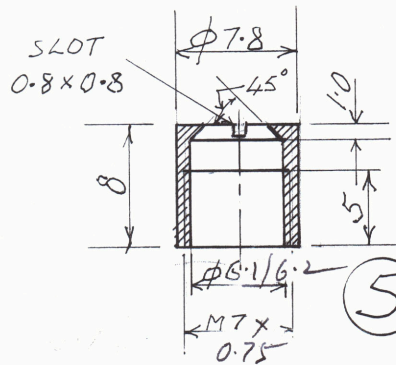
PART NO. ASI 8216.3  
 MODIFICATIONS TO 8216.2  
 MATERIAL: ASSAB 718  
 (IMPAK SUPREME)



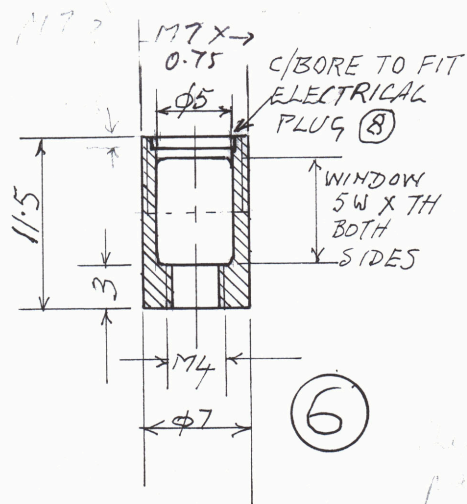
MATERIAL:  
 ASSAB STAVAX ESR  
 HRC 46±2



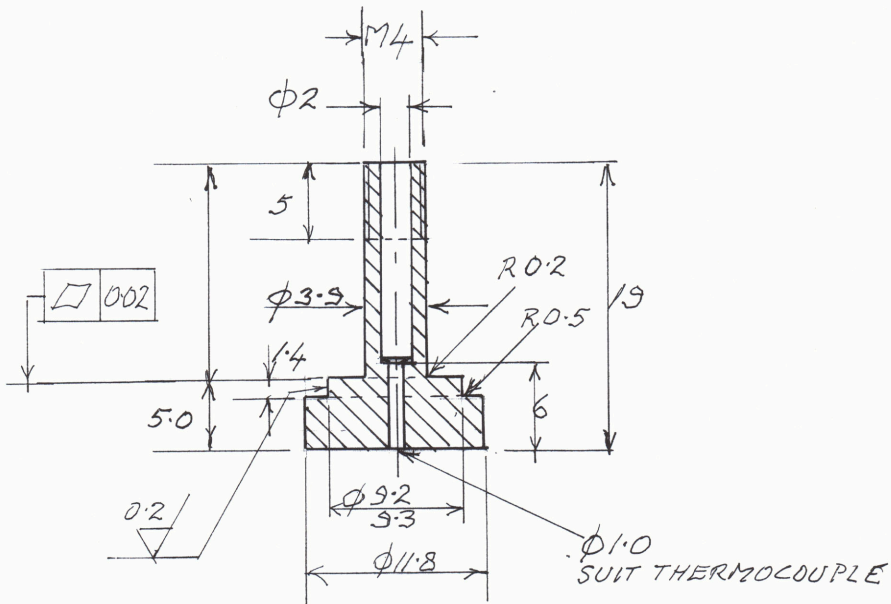
3 ASSAB 718



5 ASSAB 709



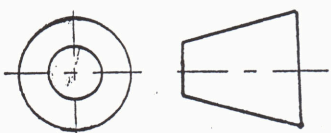
6



4

DIMENSIONS IN MILLIMETRES  
 DO NOT SCALE

TOLERANCES ± UNLESS STATED



ACN 008 644 273

PATERSON INSTRUMENTS

17/6/04 version of bottom T/C  
 assembly parts.

A3	SCALE	DATE	DRAWING NO 4616 6614
----	-------	------	-------------------------