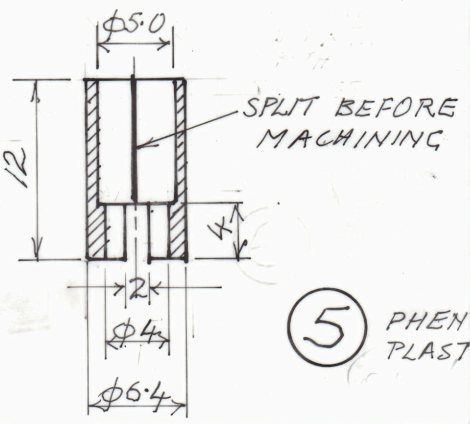
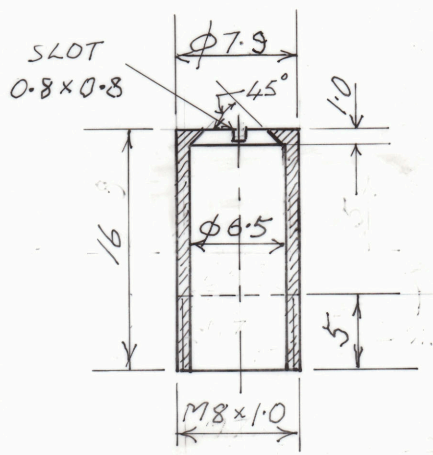
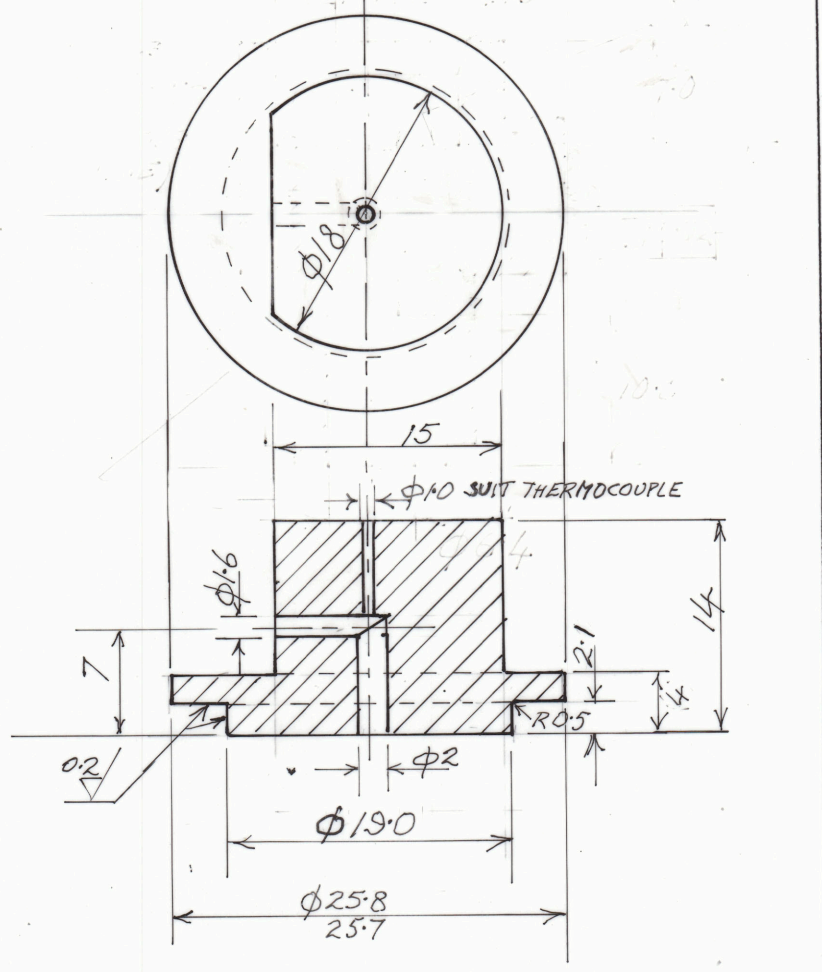
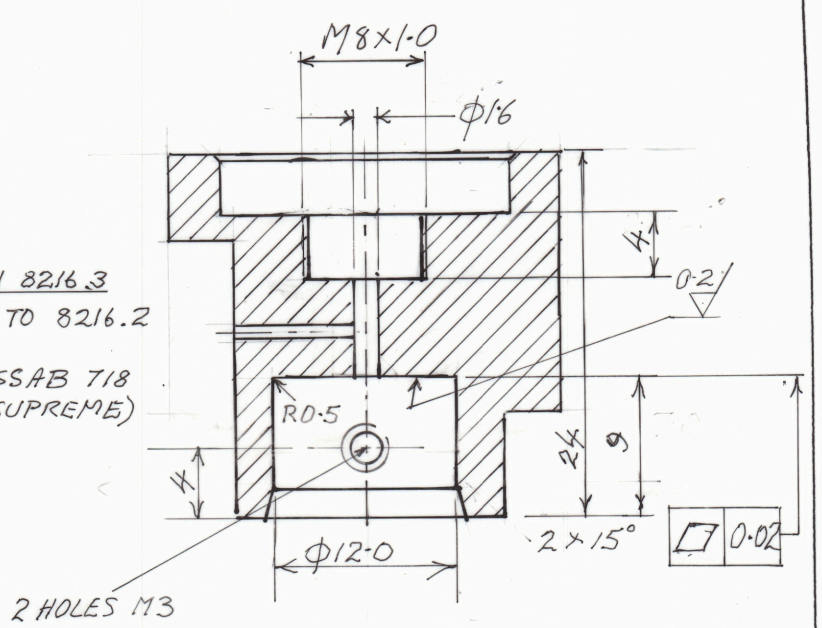
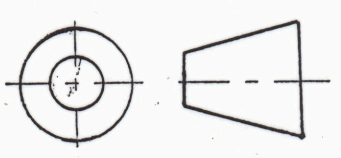


②
 PART NO. ASI 8216.3
 MODIFICATIONS TO 8216.2
 MATERIAL: ASSAB 718
 (IMPAK SUPREME)



DIMENSIONS IN MILLIMETRES
 DO NOT SCALE

TOLERANCES ± UNLESS STATED



ACN 008 644 273

PATERSON INSTRUMENTS

BOTTOM THERMOCOUPLE
 PARTS

A3

SCALE
 2:1

DATE
 JUNE 04

DRAWING NO ~~4614~~ 4616