

HP TUBING
1.6 x 0.5
SITEC

016
004

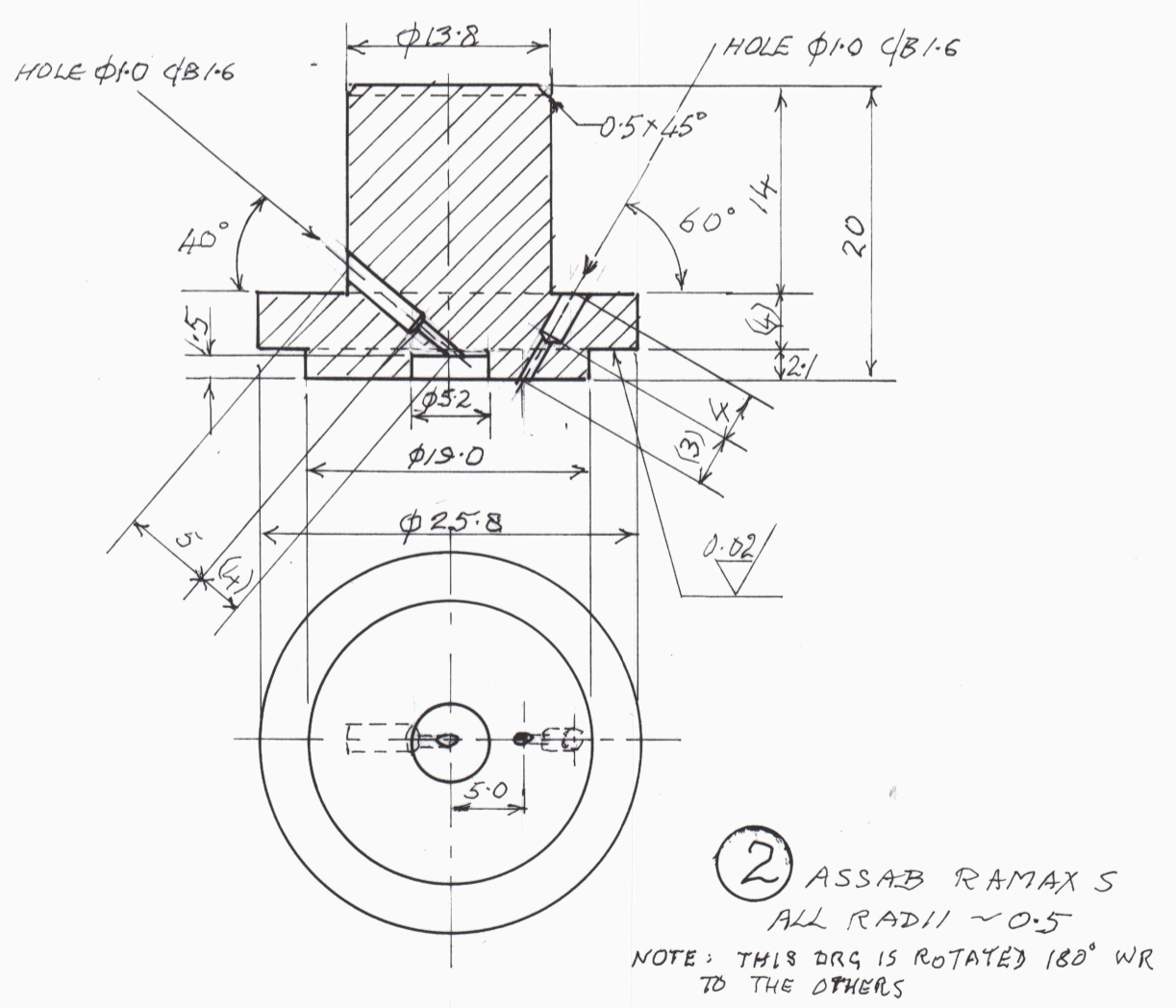
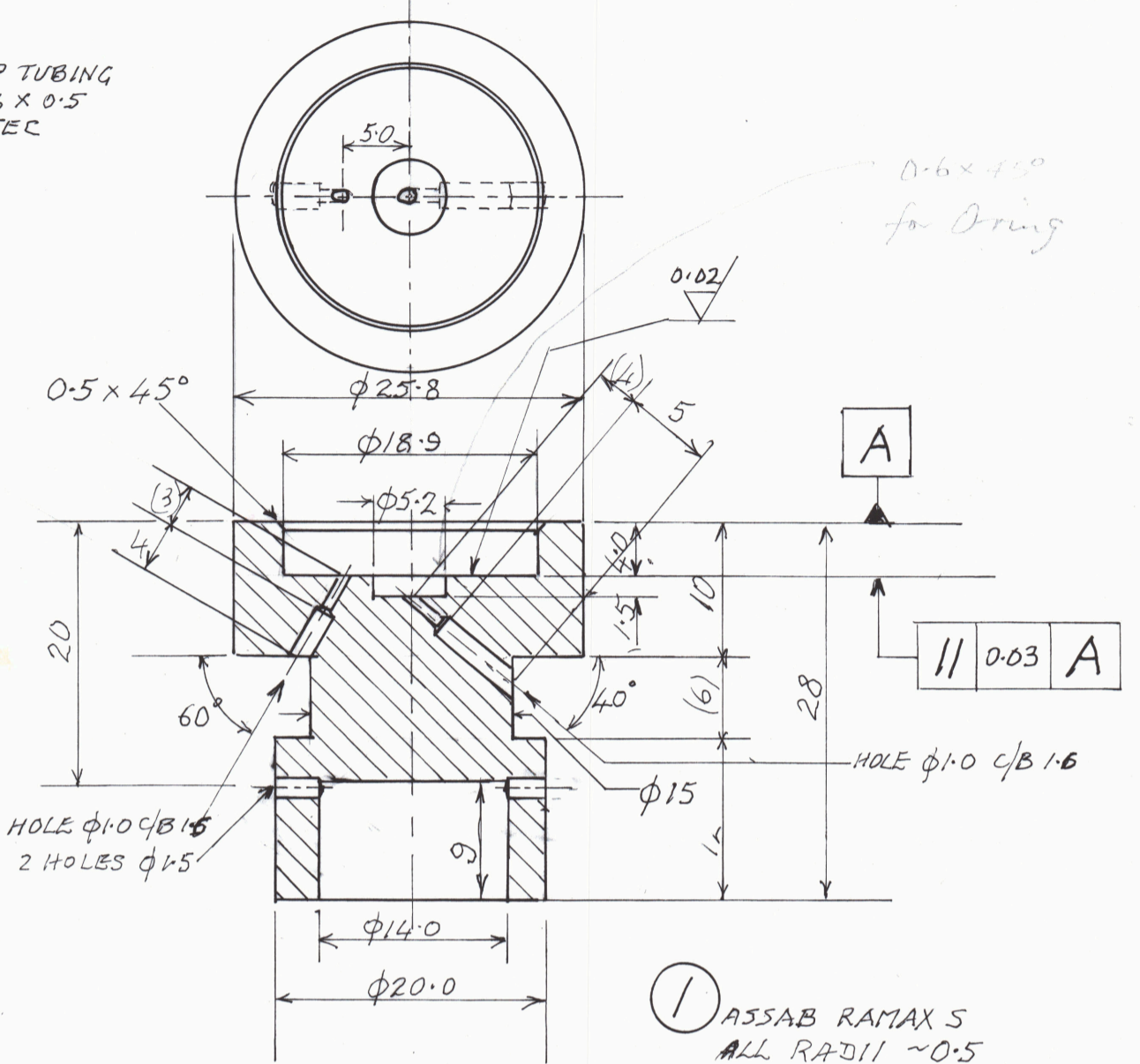
1

2

116
004

CHECK THAT THESE HOLES
HAVE BEEN DRILLED (TO DO
THIS THE ILC NEEDS TO BE
REMOVED FROM THE PV
AND THE VENT ASSEMBLY
LIFTED OUT

ONLY IN CASE OF
HYDRAULIC ACTUATOR

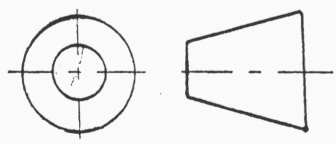


DIMENSIONS IN MILLIMETRES
DO NOT SCALE

PATERSON INSTRUMENTS

TOLERANCES ± UNLESS STATED

MULTI-RANGE INTERNAL LOAD CELL
VENT & PORE FLUID ASSEMBLY & PARTS
FOR ATTENUATION MODULE



A3	SCALE 2:1	DATE OCT 06	DRAWING NO 4613
		CORRECTED	DEC 09