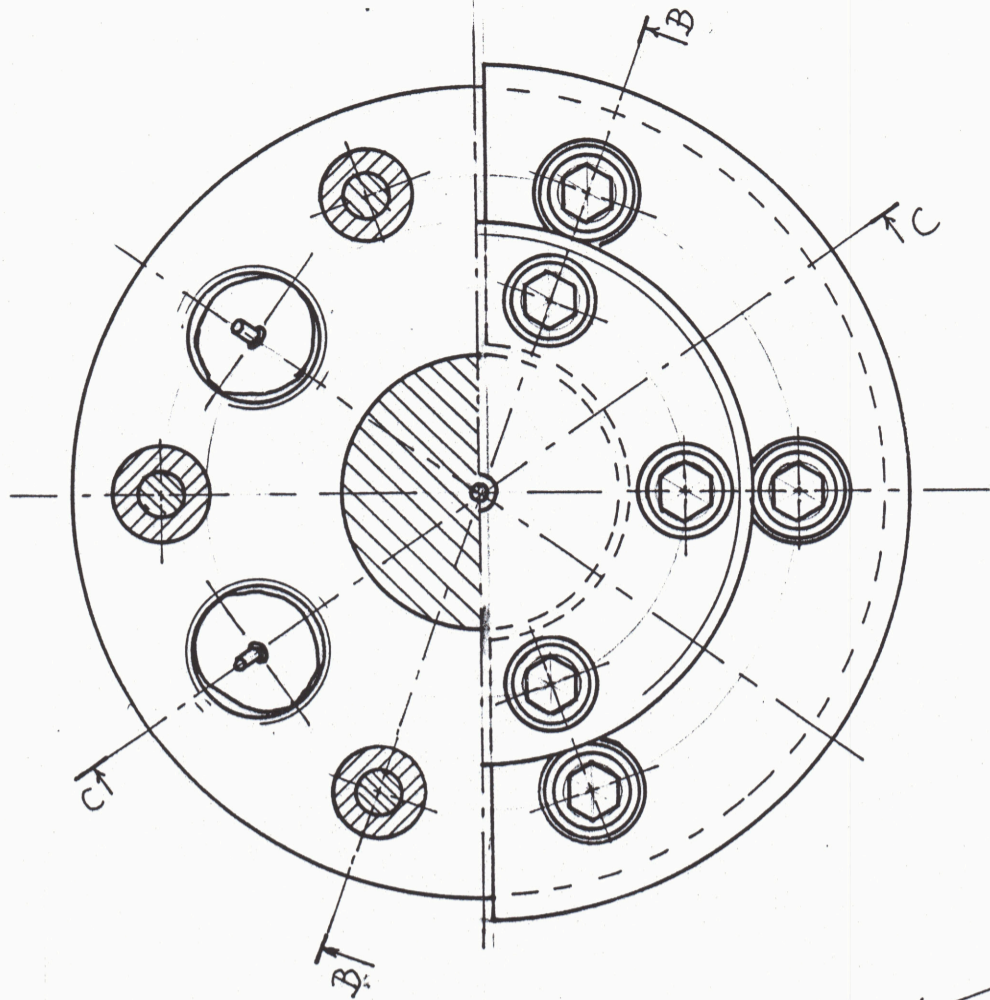


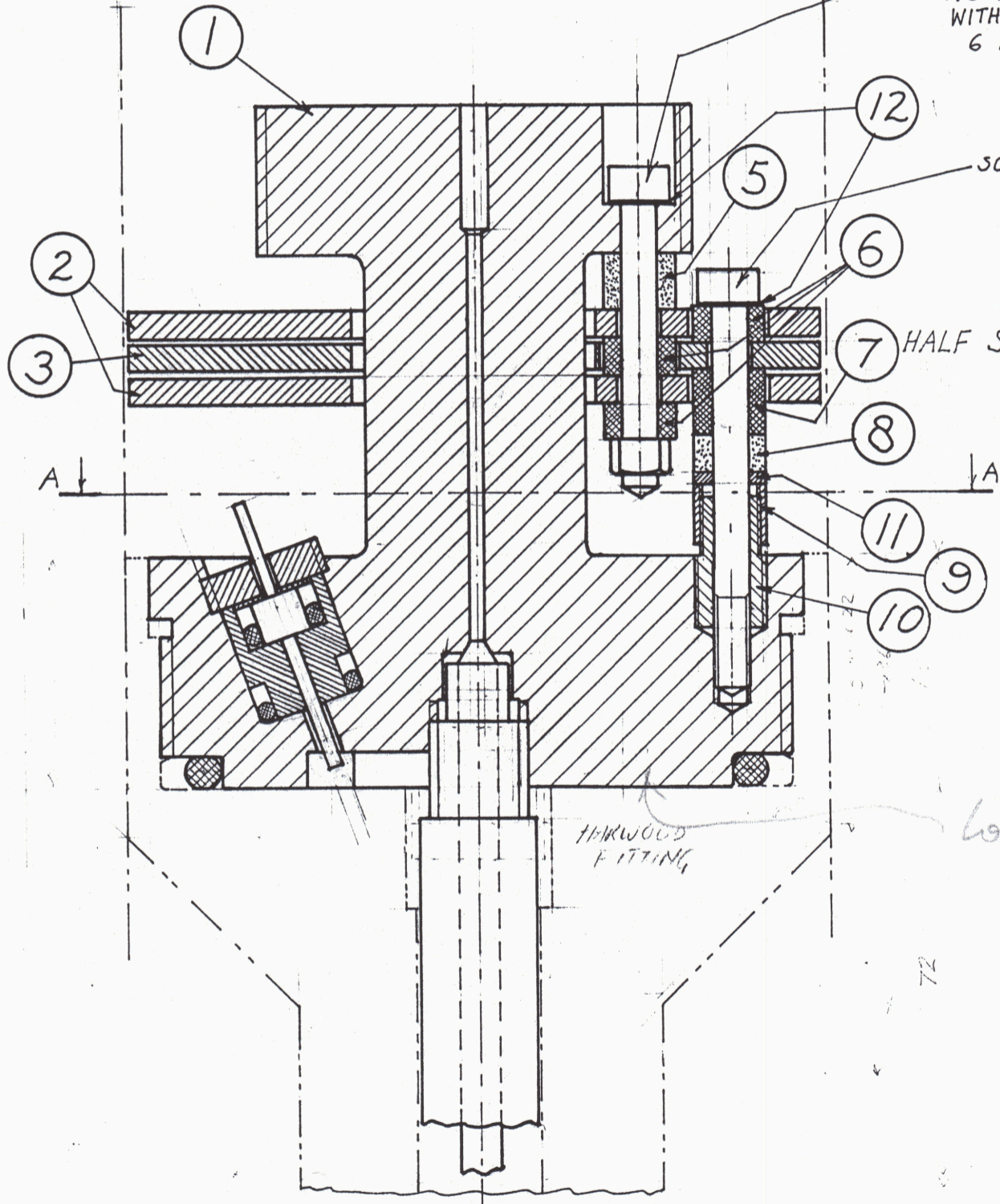
HALF SECTION A-A



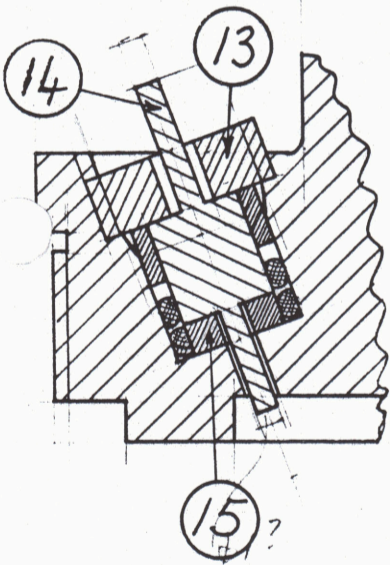
SOCKET HEAD CAP SCREWS
M3 x 25 LONG
WITH NUTS & WASHERS
6 REQD

SOCKET HEAD CAP SCREWS
M3 x 32 LONG
6 REQD

HALF SECTION C-C



HALF SECTION B-B



HARWOOD
FITTING

*locate pre-amp
here?*

72

DIMENSIONS IN MILLIMETRES
DO NOT SCALE

TOLERANCE \pm UNLESS STATED

ANU RESEARCH SCHOOL OF EARTH SCIENCES

HIGH PRESSURE/TEMPERATURE TESTING MACHINE
CAPACITANCE LOAD CELL
GENERAL ASSEMBLY

EXCLUSIVELY LICENCED TO
PATERSON INSTRUMENTS PTY LTD

A3

SCALE
2:1

DATE
JAN 1989

DRAWING NO 4200