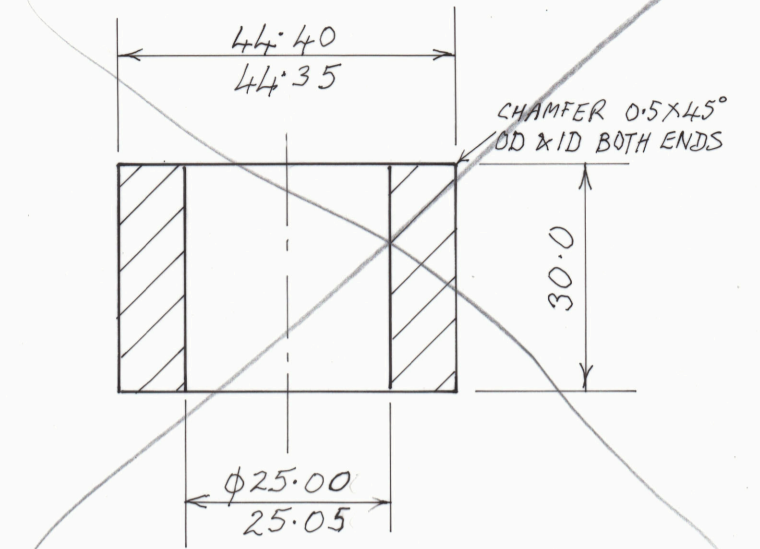


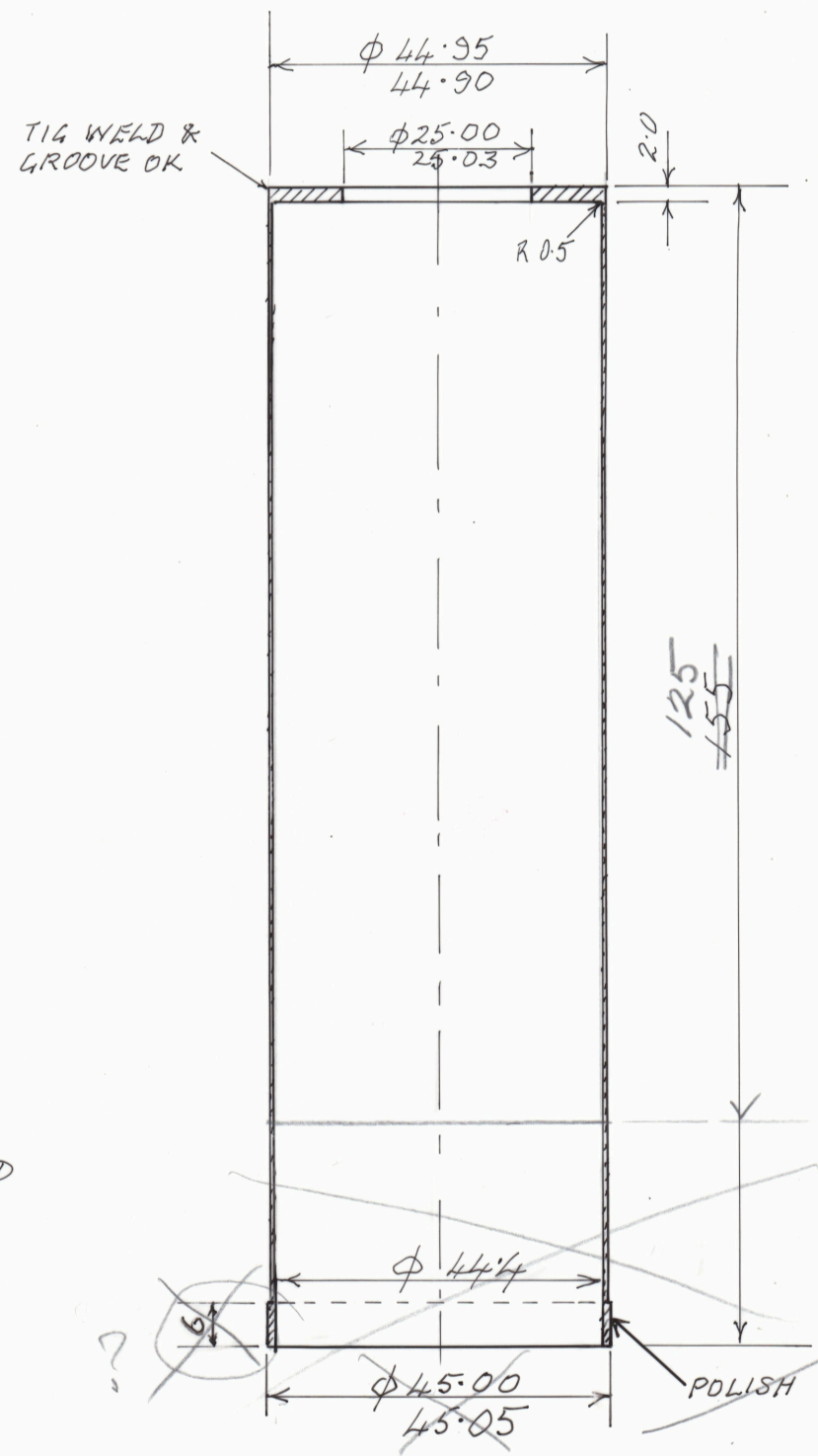
12 ALUMINA TUBES
 $\phi 30/32$ OD 1.6 ID
 EMBEDDED WITH
 ALUMINA OR
 SIMILAR CEMENT,
 FINISHED TO $\phi 61.1$ OD.

ALTERNATIVELY
 6 ALUMINA TUBES
 $\phi 30$ OD x 1.6 ID
 AND 6 ALUMINA
 TUBES 1.6 OD 0.8 ID
 IN ALTERNATING
 PAIRS, EMBEDDED
 AS ABOVE

⑨ NZP



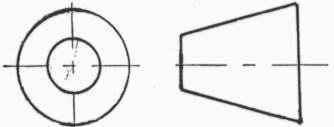
⑧ NZP
 OR SALT



⑦ SS

DIMENSIONS IN MILLIMETRES
 DO NOT SCALE

TOLERANCES \pm UNLESS STATED



ACN 008 644 273

PATERSON INSTRUMENTS

ALT-NZP FURNACE
 DETAILS ⑦ TO ⑨

A3	SCALE 1:1	DATE NOV 00	DRAWING NO 330	3305 or 3306
----	--------------	----------------	----------------	-----------------