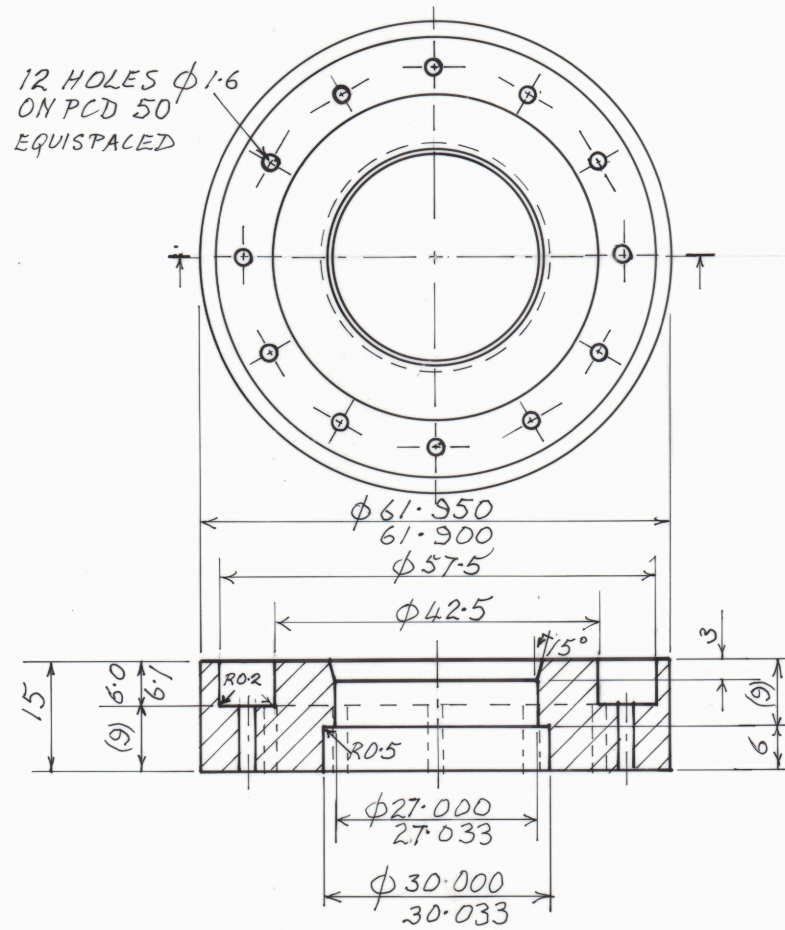
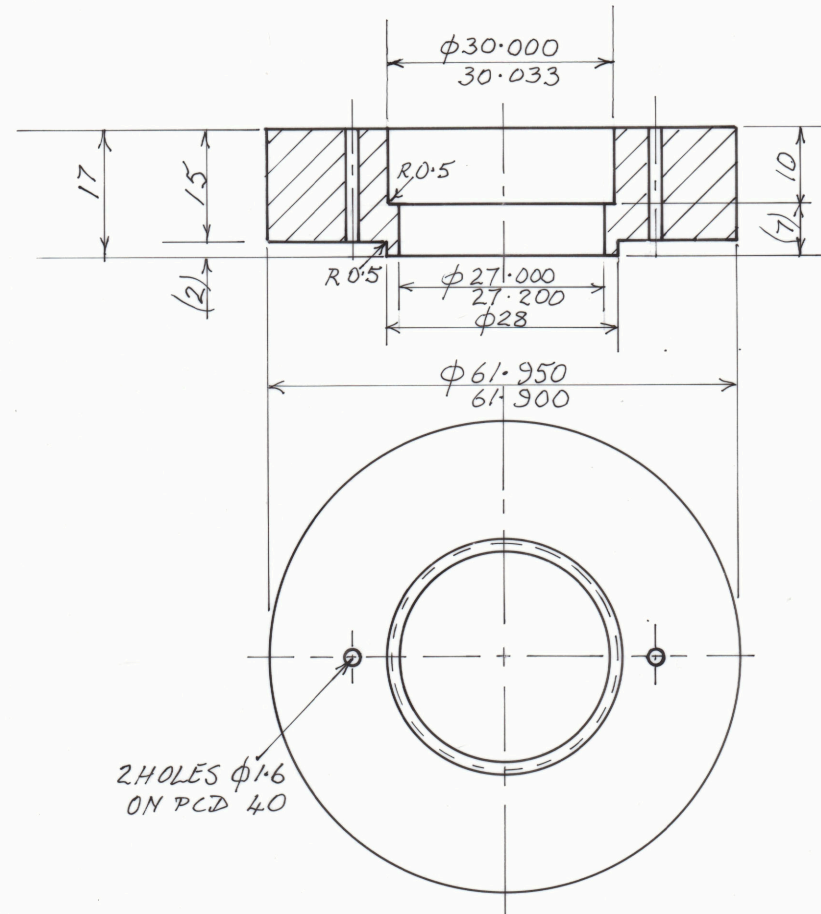


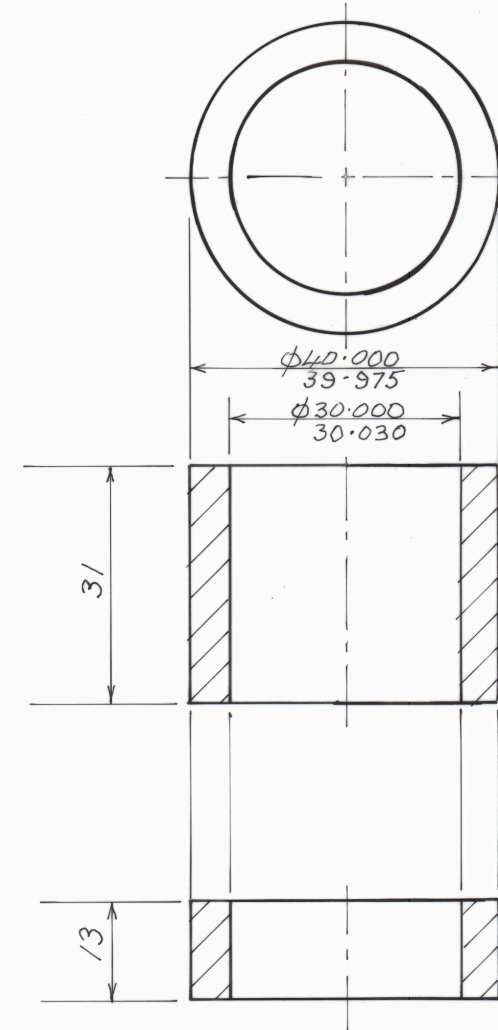
15 ALUMINA TO BE GROOVED AS FOR 3109-15



14 PSZ  
(cf 3106-14)



21 SS (304, 316)  
OR PSZ  
(cf 3106-21)



17b PSZ

17d PSZ

17c SALI OR ASH INSULATION (CF 3107A-17c)  
 $\phi 38$  OD  $\phi 39$  OD  
 $\phi 30$  ID  $\phi 30.5$  ID  
 LENGTH 103

DIMENSIONS IN MILLIMETERS -  
DO NOT SCALE

TOLERANCES  $\pm 0.3$  UNLESS STATED

PATERSON INSTRUMENTS PTY LTD

HPT TESTING MACHINE  
TORSION TESTING SYSTEM  
MODIFIED FURNACE PARTS

A3

SCALE  
1:1

DATE  
JUNE 1995

DRAWING NO 3120

ACN 008 644 273

