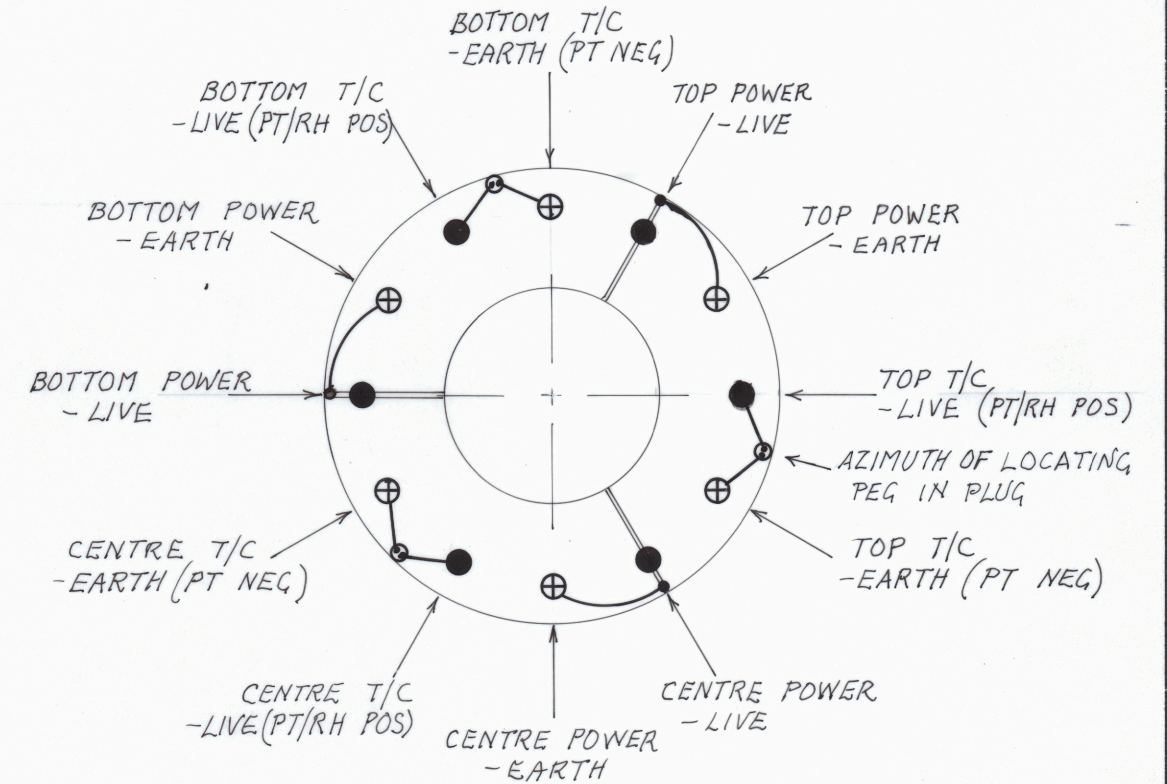
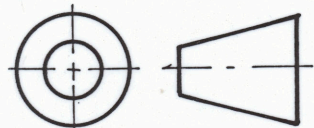
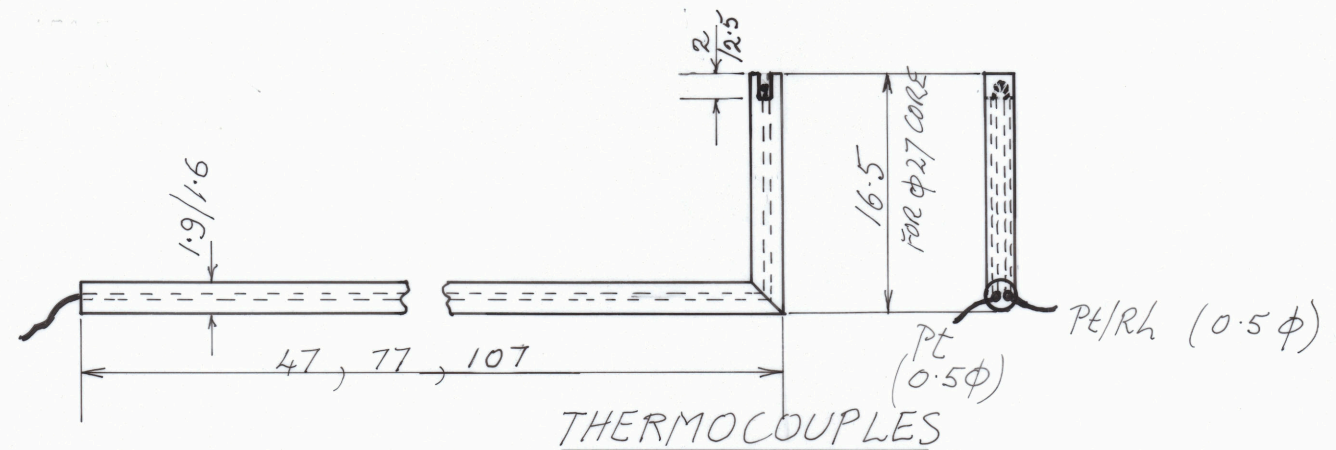


18 ZIRCAR APAZ
ALUMINA PAPER



WIRING CONNECTIONS - VIEW FROM ABOVE



DIMENSIONS IN MILLIMETRES DO NOT SCALE		ANU RESEARCH SCHOOL OF EARTH SCIENCES	
TOLERANCES ± UNLESS STATED		HIGH PRESSURE/TEMPERATURE TESTING MACHINE FURNACE ASSEMBLY DETAILS (17) TO (19) ETC	
A3	SCALE 1:1 & 2:1	DATE OCT 1990	DRAWING NO 3107B

REV NOV 1993

FORMERLY 3108