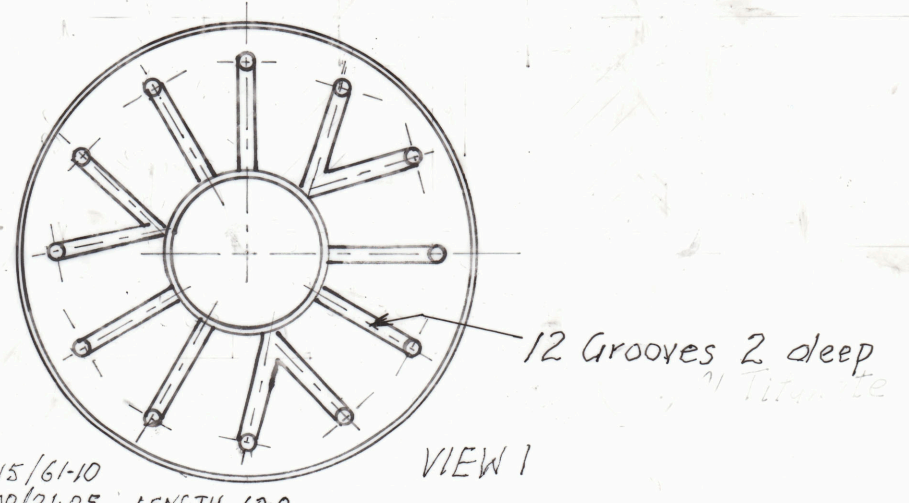
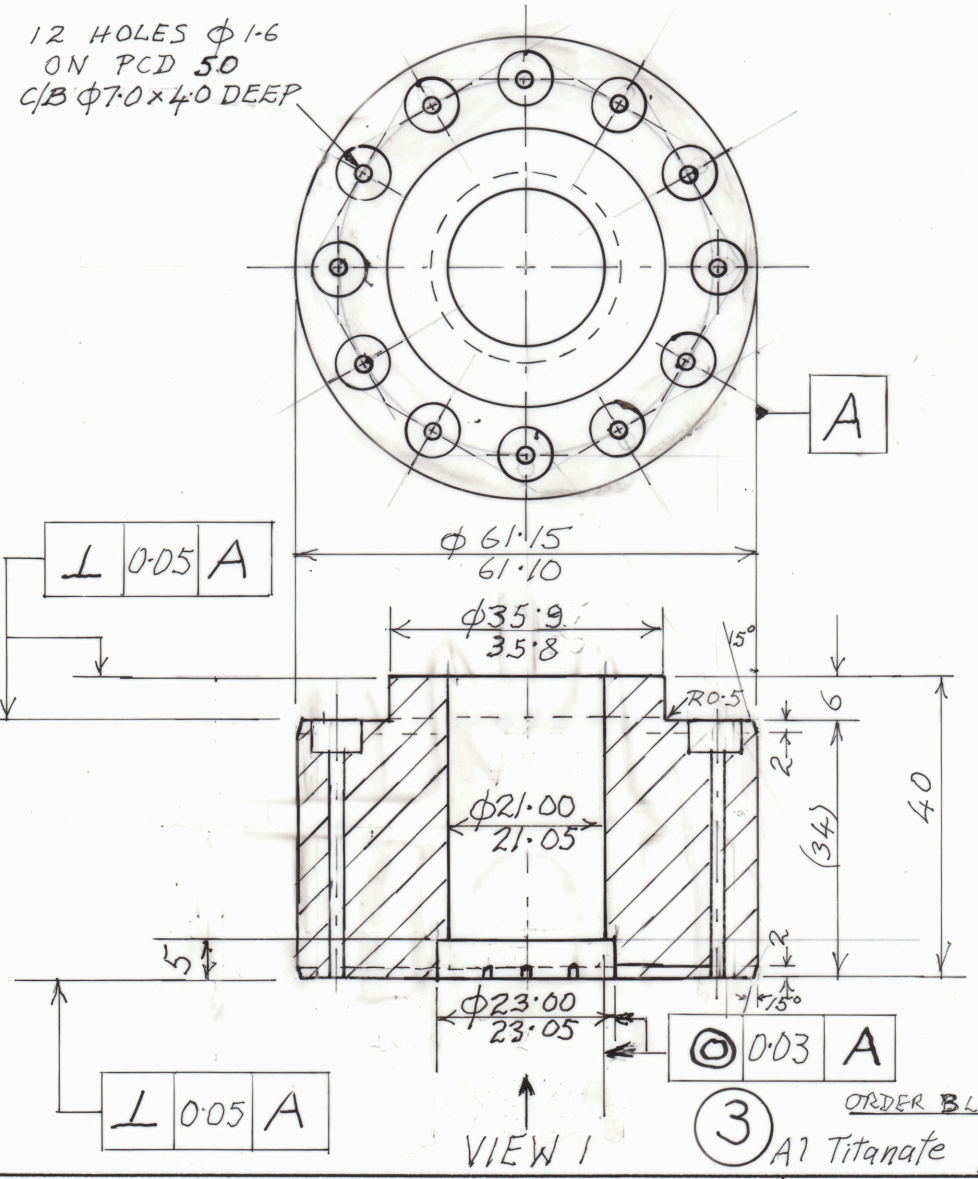
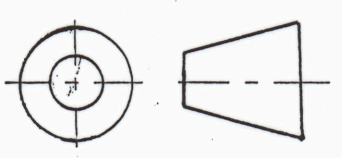


4 AL TITANATE  
ORDER BLANK 60.5/60.4 OD  
34.0/34.1 ID  
30.0 LENGTH



DIMENSIONS IN MILLIMETRES  
DO NOT SCALE

TOLERANCES  $\pm$  UNLESS STATED



PATERSON INSTRUMENTS

ALTI-2 FURNACE  
DETAILS - 2

A3

SCALE  
1:1 & 2:1

DATE  
JAN 2009

DRAWING NO 3702

~~ACN 008 644 273~~