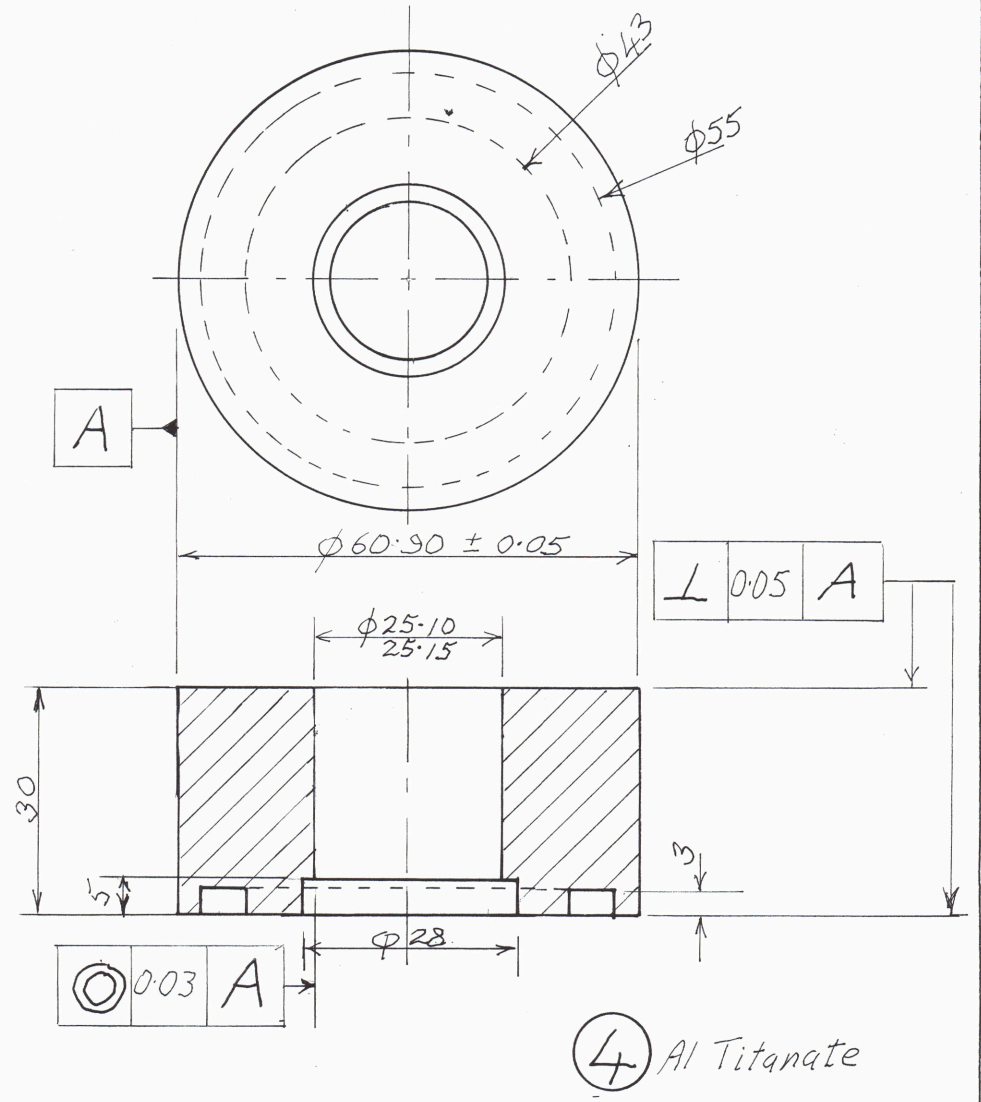
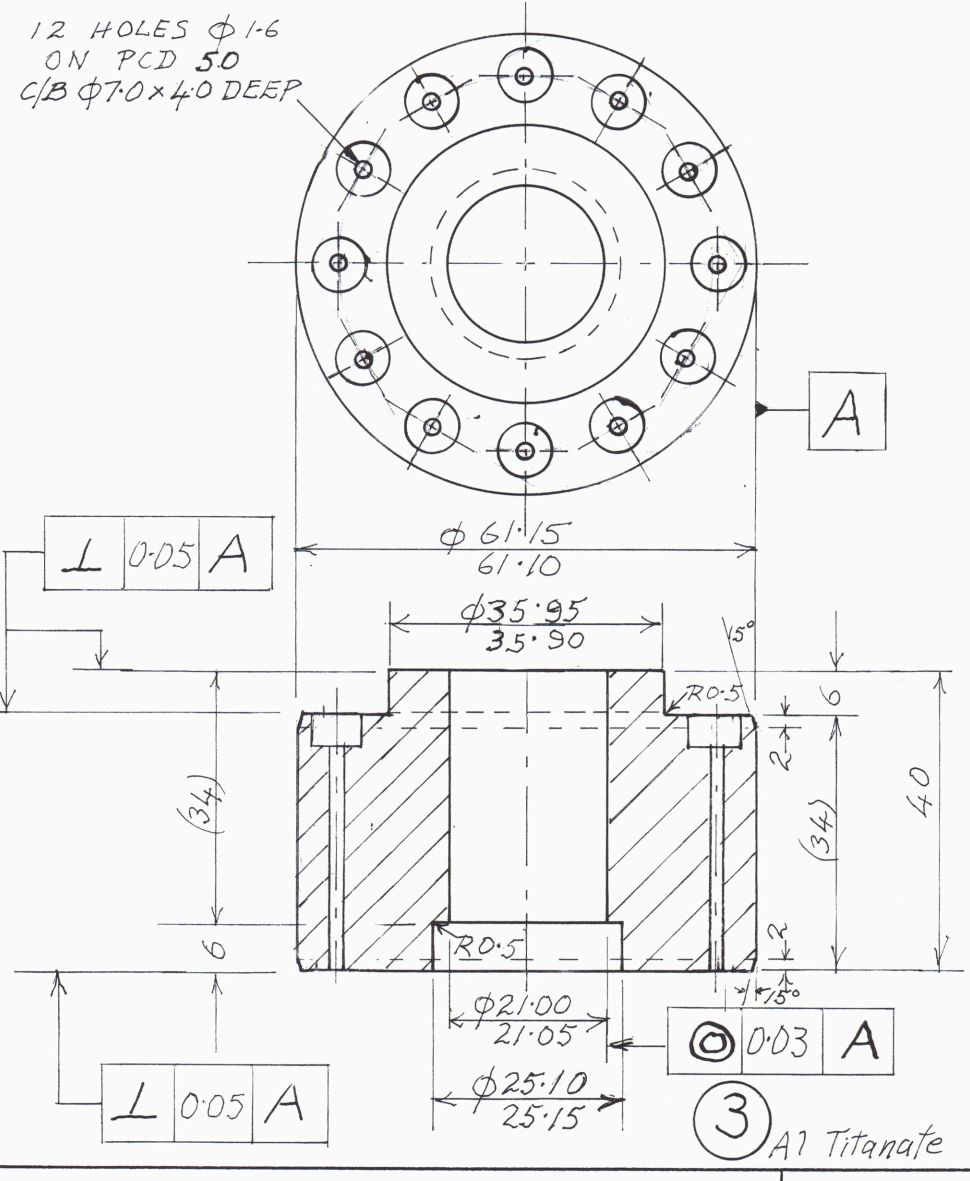


② BRASS
12 OFF
SUPPLY M3x3 SOCKET SCREWS

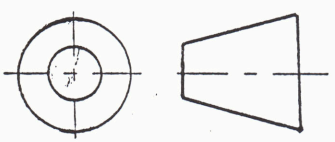


DIMENSIONS IN MILLIMETRES
DO NOT SCALE

PATERSON INSTRUMENTS

TOLERANCES \pm UNLESS STATED

ALT1-2 FURNACE
DETAILS -2



| | | | |
|----|--------------------|-----------------------------|-------------------|
| A3 | SCALE 1:1 & 2:1 | DATE AUG 2002 JUNE 04 | DRAWING NO 3402 B |
|----|--------------------|-----------------------------|-------------------|

~~ACN 008 644 275~~